



Logistics Weighing Forklift Weighing



BTS
ENGINEERING

<https://prom-nasos.pro>
<https://bts.net.ua>
<https://prom-nasos.com.ua>
+38 095 656-37-57,
+38 067 360-71-01,
+38 063 362-12-31,
info@prom-nasos.pro

**H series
FORKLIFT SCALE**

**D series
BLUETOOTH
BEAM SCALE**

**A series
SMART SCALE
FOR FORKLIFT**

**B series
CHOCO Truck Scale**





FORKLIFT SCALE H series

High accuracy forklift weighing solution

The H series weighs the forklift operation by directly mounting the weighing system on the forklift fork frame. Its rear scale body is mounted on the forklift frame, and the front scale body bears the original forklift frame work (mounting forks or attachments), this method can more directly sense the weight of the cargo, so it can achieve higher precision performance.

System Composition



Scale



Smart indicator

High-precision

Composite error

0.2 %

Large range

30-4500 kg

Optional division

0.1-5 kg

* See the specification table for details

High Reliability

Full load and unload

100000 Times

Fully loaded work test

3000 Hours

Safety overload

150 %

- The scale has been rigorously tested and can still work accurately and safely;
- Multiple safety design to ensure safety .

Easy Adaptation

- The installation method is suitable for the national standard ;
- The scale is suitable for the installation of all kinds of counterweights ;
- It is suitable for the installation of side shifter, rotator, paper roll clamp, refrigerator clamp, bucket clamp, pusher and puller, tipping fork and other conventional accessories



Without attachment



With side shifter



With spinner



With attachment

Application Example

Easy Installation

- The installation of the scale is as simple and convenient as the installation of a fork;
- High installation versatility of the indicator, take electricity directly from the forklift;
- Wireless connection, eliminating wiring troubles.



Quick installation, hang and use

Easy to use

- 3.5-inch instrument;
- The scale is equipped with a removable large capacity lithium battery, which can work continuously for 200 hours, and it is convenient to charge.



Specifications

Scale

- Weight correction for forklift mast tilt ($\pm 3^\circ$)
- One key to zero
- Automatic sleep & one-key wakeup
- 1.3" O'led screen on the side of the scale
 - Weighing result display
 - Indicate battery status
 - Indicate connection status
 - Sensor failure monitoring
- 30Ah 3.7V removable lithium battery
- Overload protection 150%

Smart indicator

- 3.5" LCD
- Optional division (0.1/0.5/1/2/5kg)
- Unit settings (kg/lb)
- Time setting
- Forklift ID setting
- Overload and partial load alarm
- Sensor failure monitoring
- One key to zero
- Cumulative and cumulative management
- Print and print management
- Stable schedule : ~2 seconds
- Operating Voltage: 12-24V

Optional

- Spare lithium battery
30Ah 3.7V



- Laser altimeter module
range: 0.03-10metre
accuracy: 1mm



Optional

- 7-inch led external display screen
680mm*200mm



- Audible and visual warning lamp
70mm*50mm

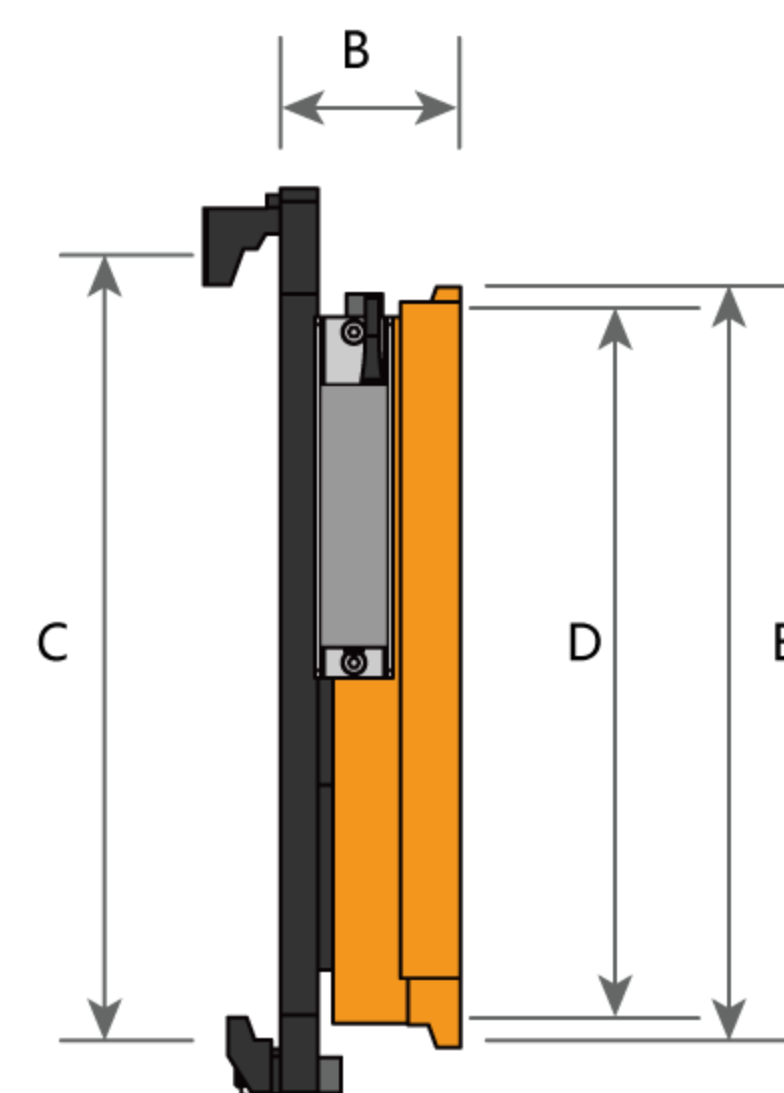
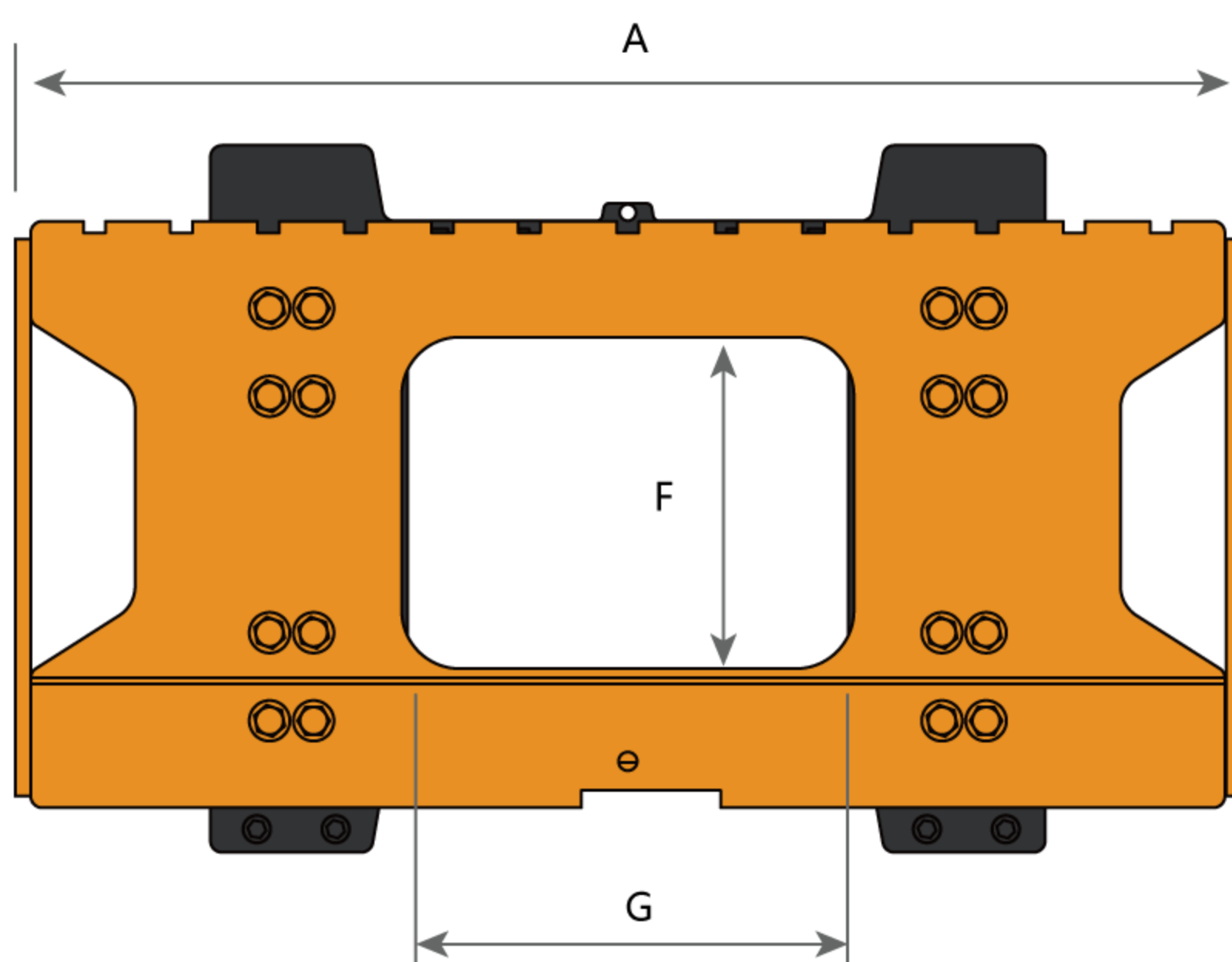


- Hook-on instrument
230mm*115mm*90mm



model	Range	Min-weigh	Index	Error	Level	Size (mm)							weight (kg)
	kg	kg	kg	%	/	A	B	C	D	E	F	G	
H2-25	2500	30	1	0.2	II	980	115	411	381	407	260	390	150
H2-35	3500	30	1	0.2	III	1100	115	510	476	506	306	390	180
H2-45	4500	30	2	0.2	III	1250	125	510	476	506	306	390	220

* If there are other specifications, please consult the manufacturer further





A1 **series**

SMART SCALE FOR FORKLIFT

General accuracy forklift weighing solution

ACC 1 %

Range 50-12000 kg

Applicable scenarios: Indirect trade: industries with relatively low accuracy requirements; complex and harsh working conditions and frequent weighing, overload alarm, AGV load management, etc.

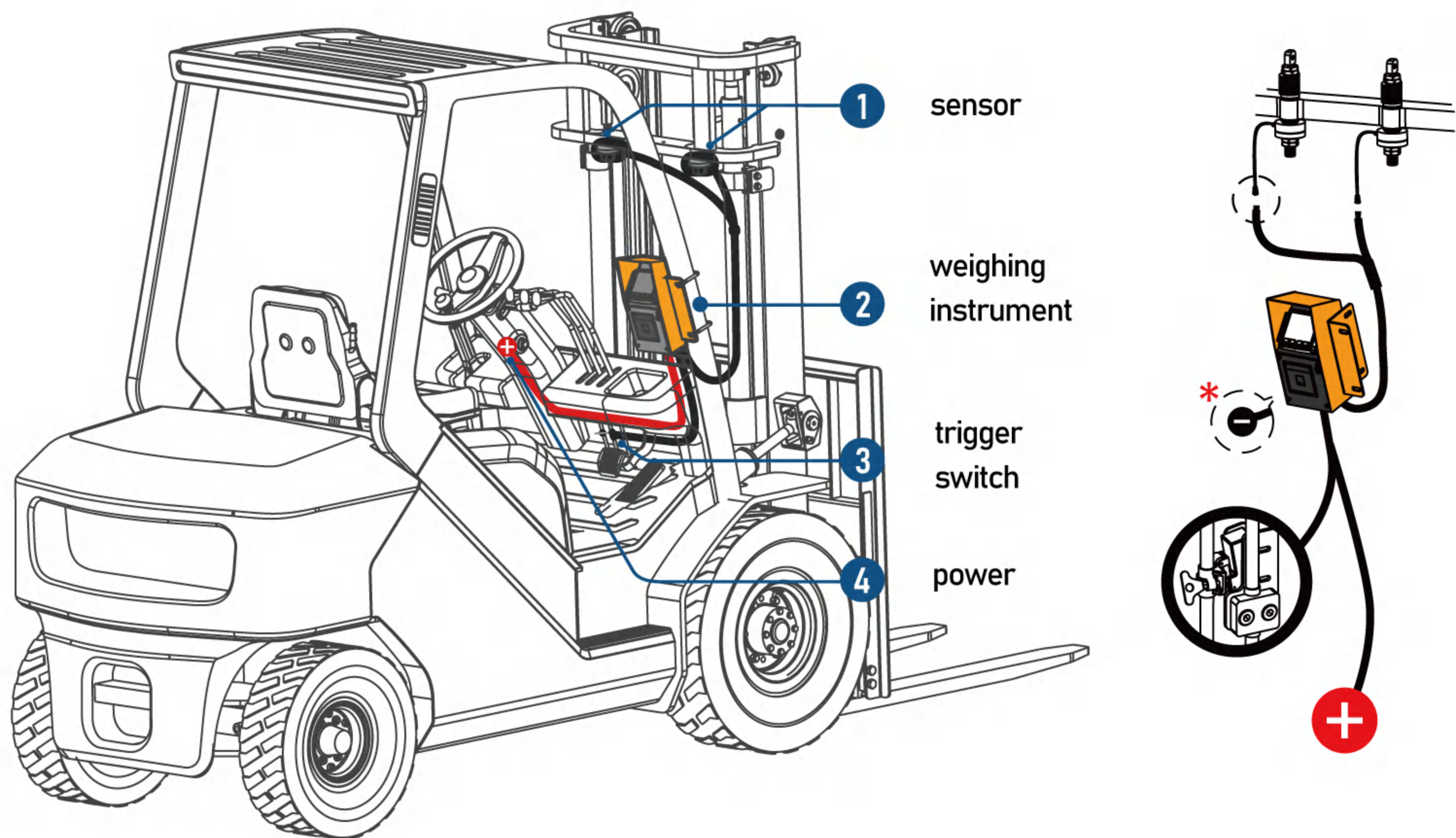
Maintenance free

- The patented sensor installation structure avoids the impact on the sensor during the forklift operation, and adapts to various harsh working conditions;
- The system maintains long-term stability and avoids frequent calibration and maintenance; the meter is powered by a forklift, and there is no need for separate charging and maintenance.

Safe & Easy Adaptation

- The installation of the A series forklift scale does not change the structure of the forklift and does not affect the safety of the forklift;
- Compatible with various attachments and stackers and reach forklifts with gantry system without compromising weighing accuracy.

Installation



Specifications

A1



Model	A1	A1-8t	A1-12t	A1-WL	A1mini
Main Control					
Size	290*120*140mm				175*95*130mm
Working Voltage	12 -24V	12 -24V	12 -24V	12 -24V	12 -24V
Package weight	7.5kg	8kg	8kg	7.5kg	4kg
Weighing					
Capacity	50-4000kg	50-8000kg	50-12000kg	50-4000kg	50-4000kg
Accuracy Class	1%	1%	1%	1%	1%
Scale Division	1kg	1kg	1kg	1kg	10kg
Assessing Weight Divison	100kg	100kg	100kg	100kg	---
Sensor					
Sensor-MainControl Connecting	WIRE	WIRE	WIRE	WIRELESS	WIRE
Applicable Forklift Mast	Without Freelifting	Without Freelifting	Without Freelifting	Without Freelifting	Without Freelifting
Display Module					
Display Module	Color LCD	Color LCD	Color LCD	Color LCD	LCD
Screen Size	73*50mm (3.5")	73*50mm (3.5")	73*50mm (3.5")	73*50mm (3.5")	73*37mm (3")
Data Box					
Data Box	Built-in integration	Built-in integration	Built-in integration	External independent	Built-in integration
Battery	---	---	---	3.7v 12000mAh	---
Built-In Printer					
Lable	Thermal	Thermal	Thermal	Thermal	Thermal
Lable Size	54*35mm	54*35mm	54*35mm	54*35mm	60*56mm

* This product is only used for weight reference and cannot be used as a trading scale

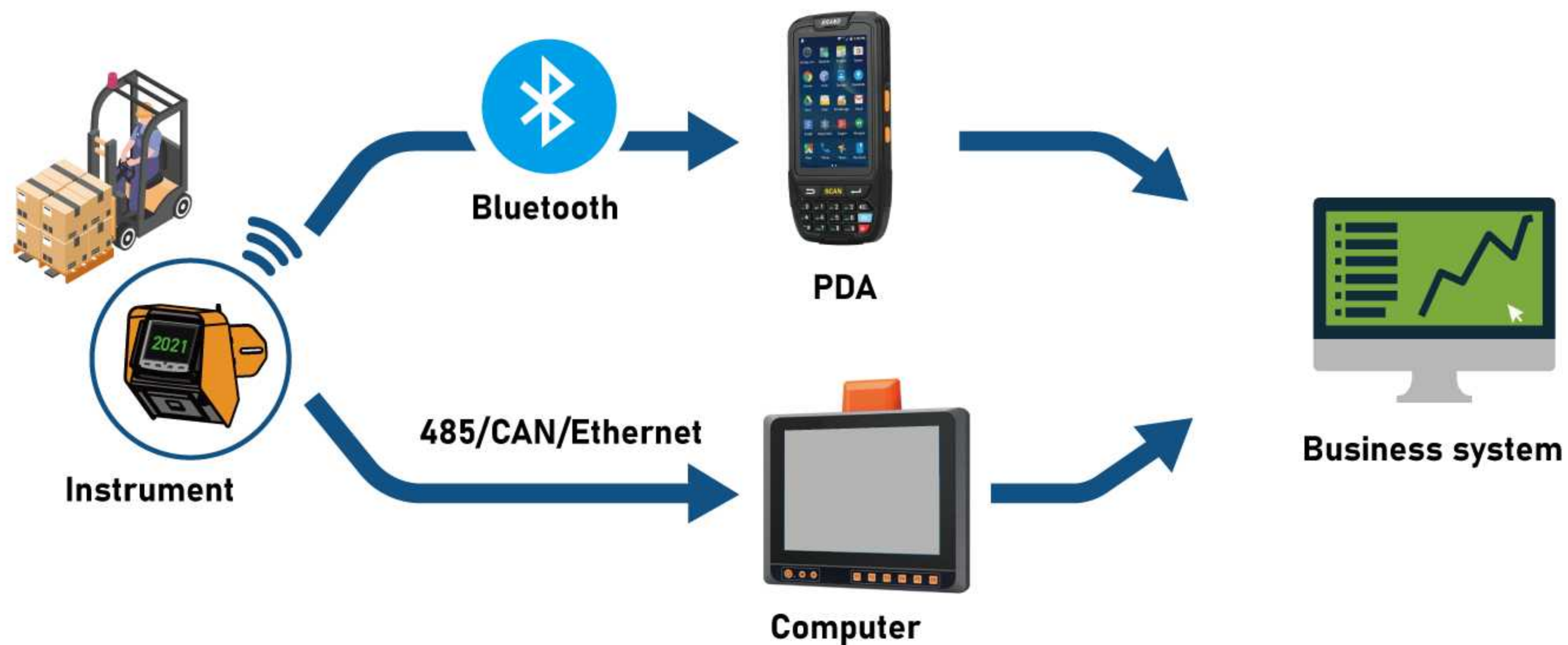
Forklift weighing system application scheme

Make weighing more efficient and smarter

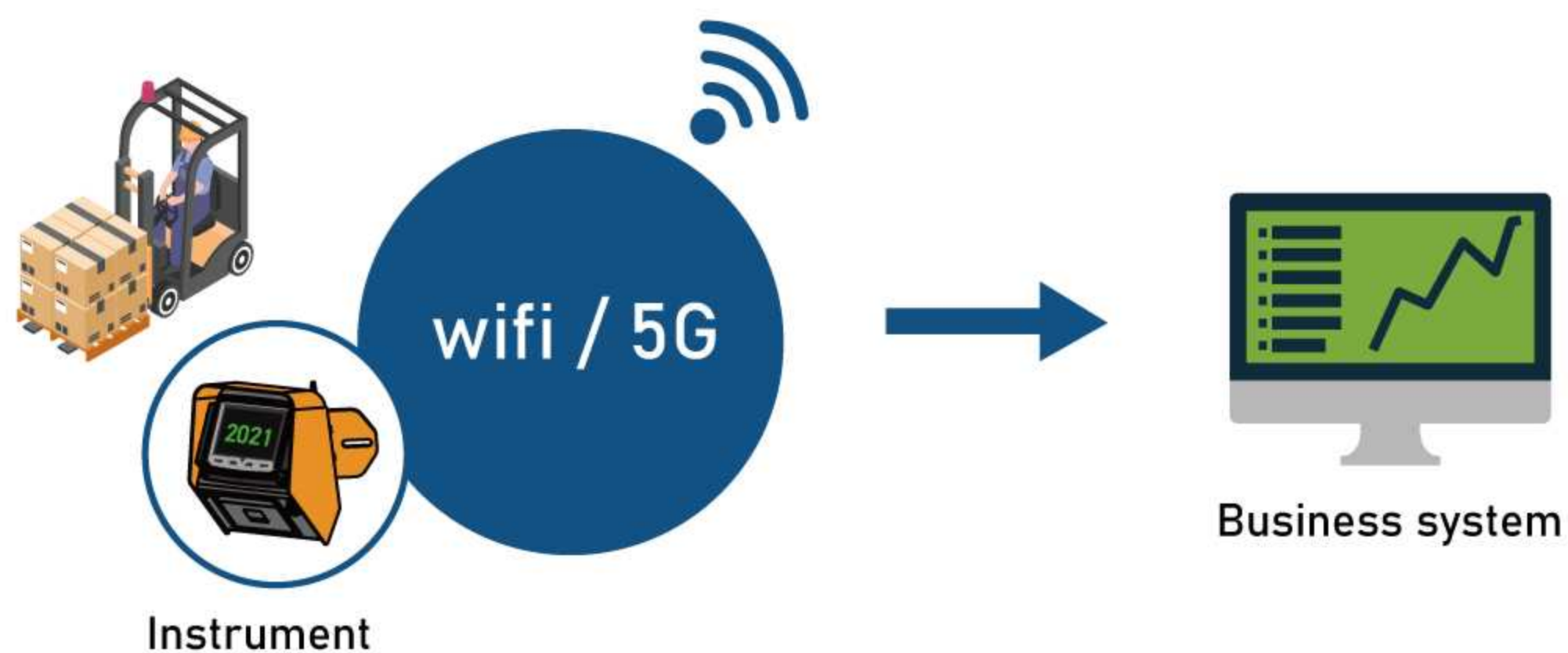
Scan the code



Intelligent Terminal

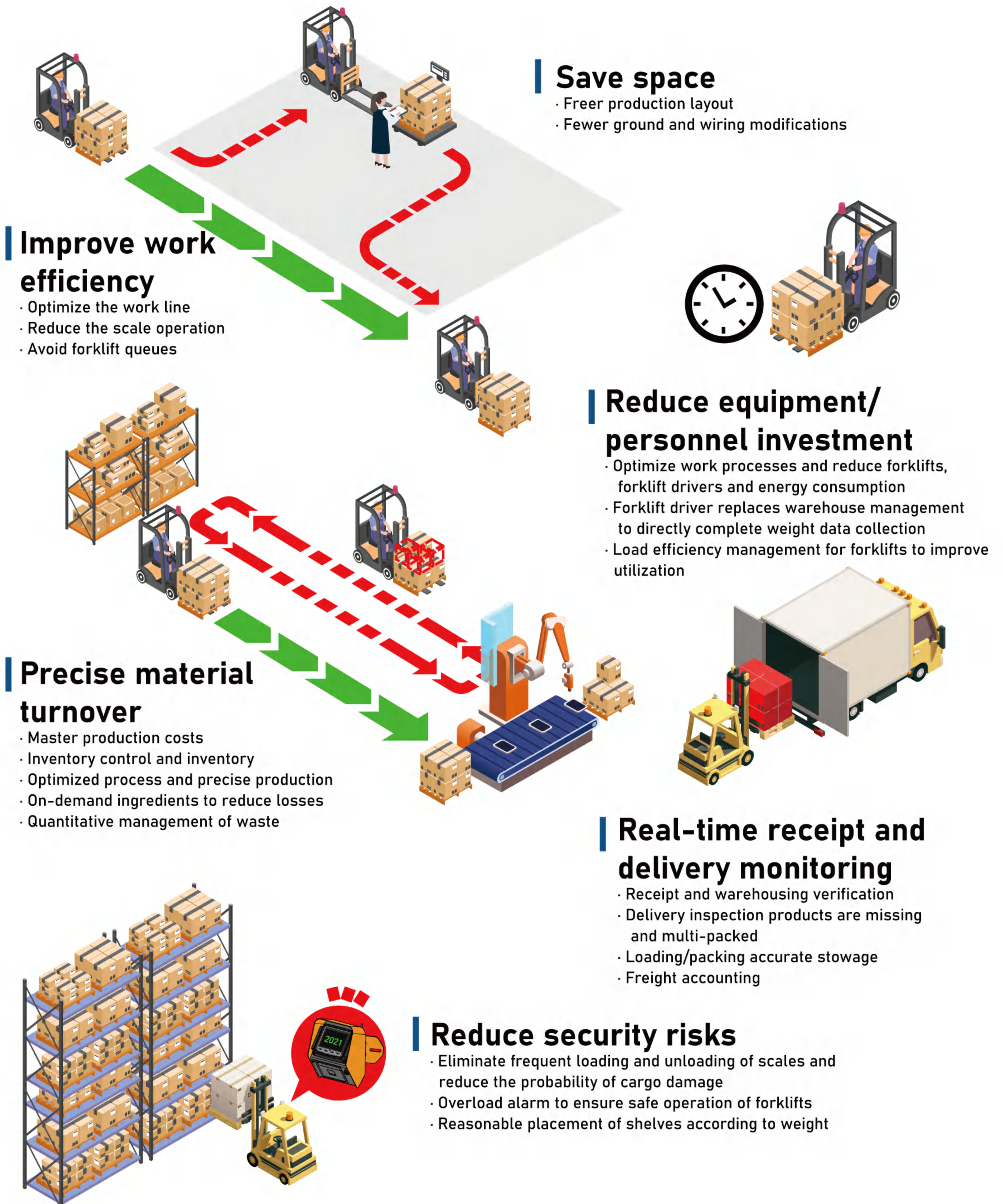


IOT



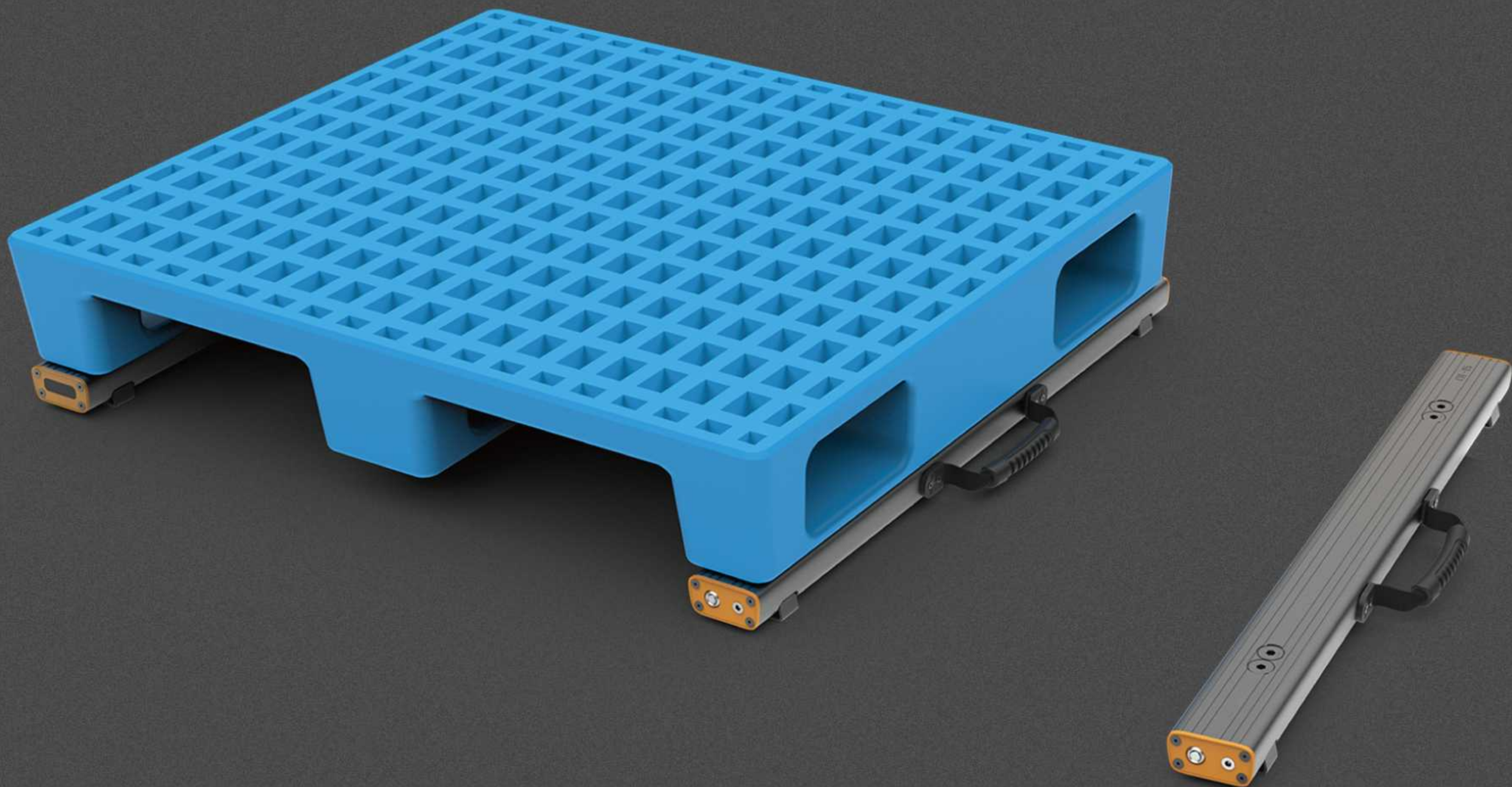
Forklift weighing

Application Advantage Analysis



BLUETOOTH BEAM SCALE

portative weighbridge

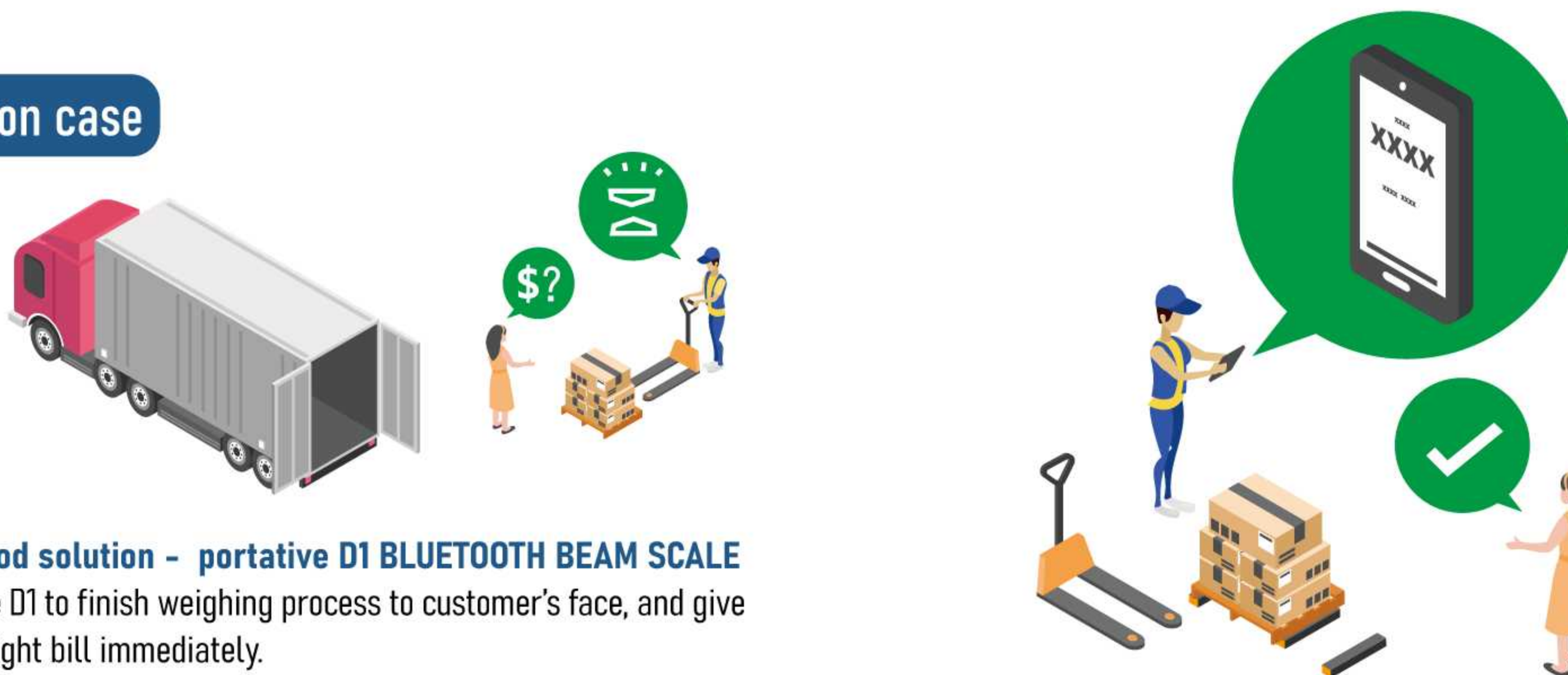


Demonstration



Put cartons or pallet on D1 beam scale— open its APP - get weight information on

Application case



Good solution - portative D1 BLUETOOTH BEAM SCALE
Use D1 to finish weighing process to customer's face, and give freight bill immediately.
No dispute , better customer experience.

Matched APP EASY TO USE

- Zero-reset
- Print (optional)
- Weighing record search
- Unit change

(if you need more functions, please contact with us)



Accumulate &
Accumulate details

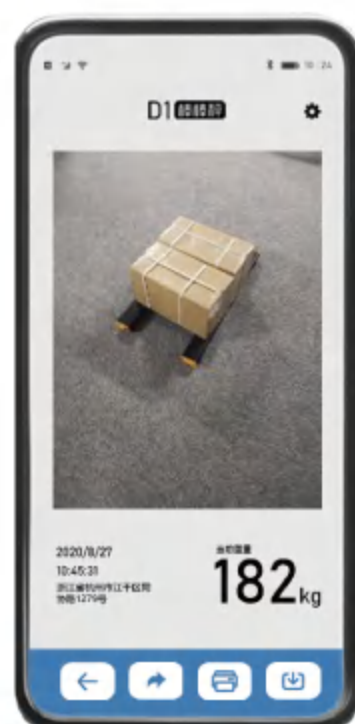


Photo &
share



BLUETOOTH BEAM SCALE Specification

Model	D1	D1-L	D2
Parameter			
Size	80cm*8cm*5.5cm	100cm*8cm*5.5cm	80cm*7cm*2.5cm
Weight	5kg	5.8kg	1.5kg
Material	Structural aluminum		
Built-in battery	3.7v 9000mAh	3.7v 9000mAh	3.7v 1500mAh
Weighing			
Capacity (single))	1-1500kg	1-1500kg	1-500kg
Composite deviation	1‰ ^①		
Maximum working time	100hours ^②	100hours ^②	48hours ^②
Charging time	6hours ^③	6hours ^③	2hours ^③
Sensor			
Material	Alloy Steel	Alloy Steel	Aluminum alloy
Quantity	2		
Working Temperature	-20℃—65℃		
APP			
System	Android 6.0 or more		
Connection	Bluetooth		
Optional			
Bluetooth printer	Thermal label printer		

① The actual weighing accuracy may be affected by the ground

② ③ This data is a theoretical calculation value. Actual data may vary

B2 CHOCO Truck Scale

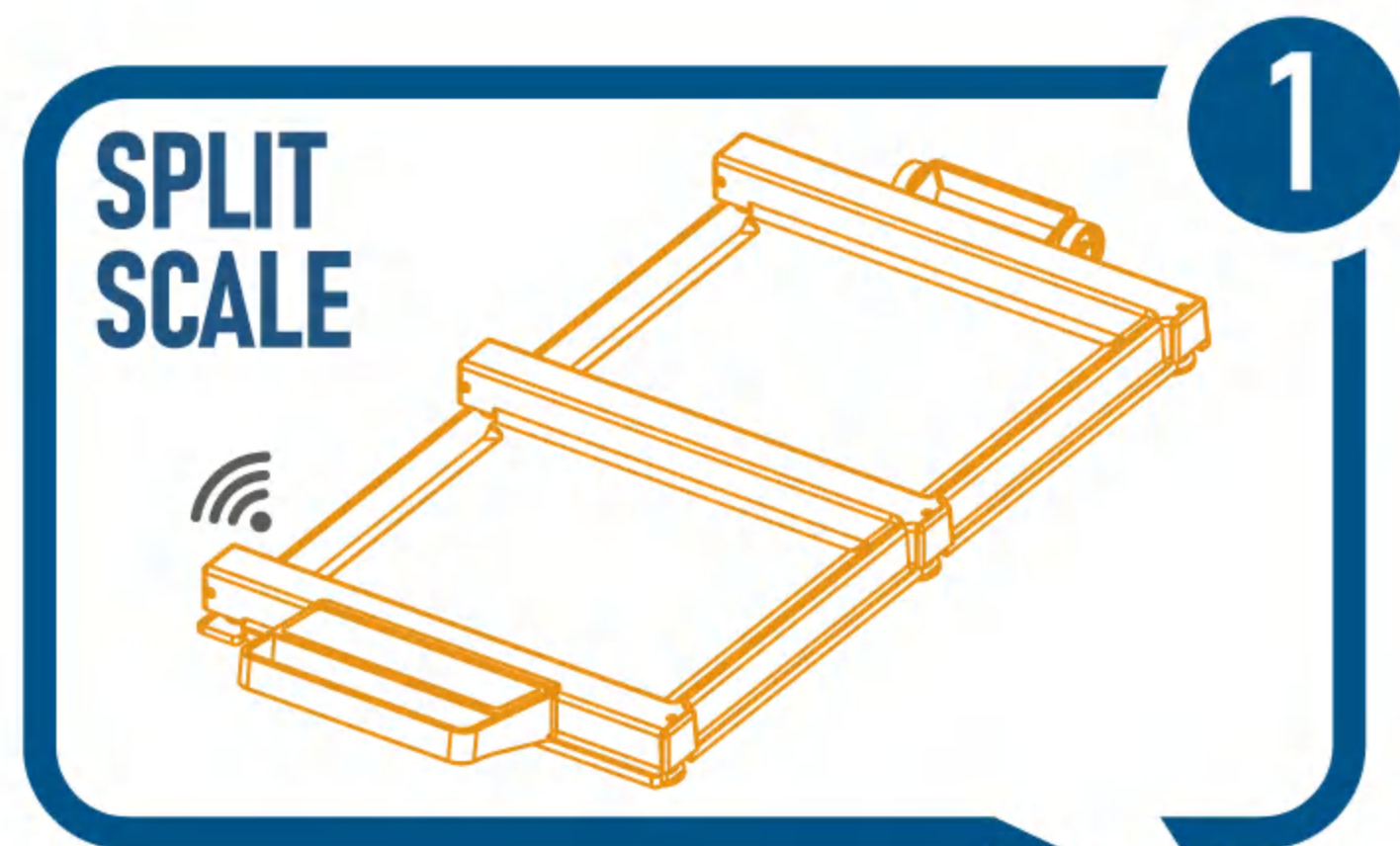
Split Weighing System For Truck



- Efficient weighing
- Flexible application
- Optimal volume-to-weight ratio
- No overload
- Eccentric load warning

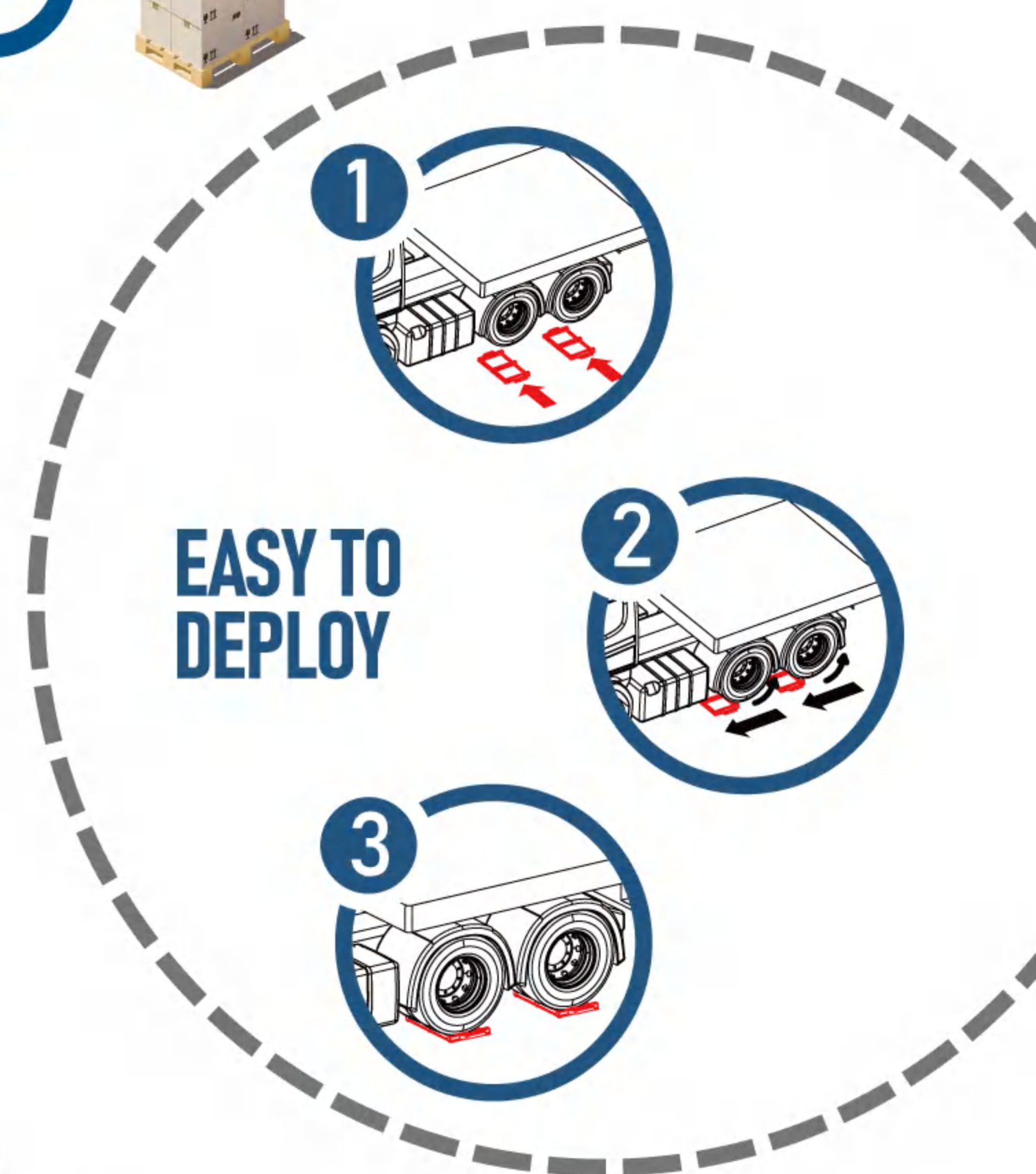


CHOCO Truck Scale



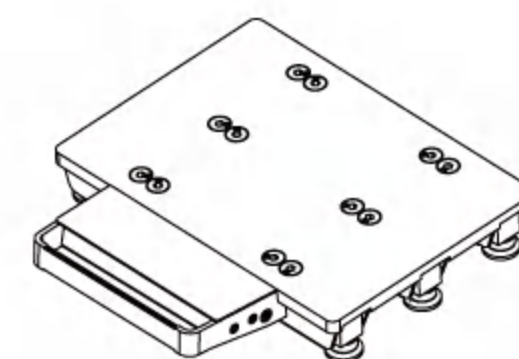
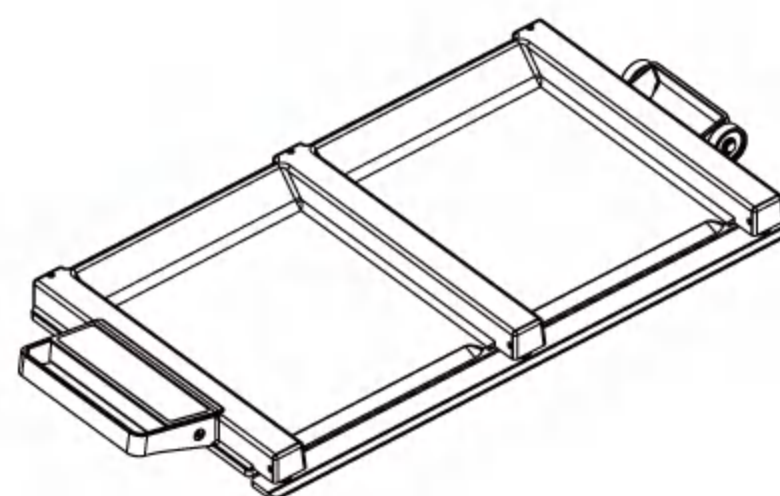
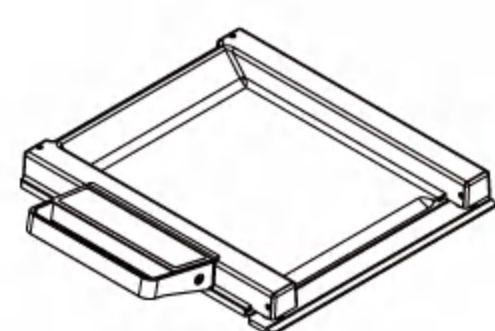
- PDA | 5.45 inch screen & APP
- Split weighing
- Easy to operate
- Overload warning
- Eccentric load warning
- Print function

- **Small & Light** | 100cm*50cm*6cm **22.5kg**
50cm*50cm*6cm **12.5kg**
- **High strength** | Single scale maximum load **10000kg**
- **Wireless** | Strong signal, **100 hours** working time
- **Sensor** | High precision, less failure
- **Low ground clearance** | **2cm**



CHOCO Truck Scale

Specification



Model	B2-I	B2-II	B2-III
Parameter			
Size	54cm*48cm*6cm	95cm*48cm*6cm	42cm*42cm*6.8cm
Applicable tire width	<30cm	<30cm	—
Weight	12.5kg	22.5kg	18kg
Material	Structural aluminum	Structural aluminum	Structural aluminum
Ground clearance	2cm	2cm	6.8cm
Built-in battery	3.7v 12000mAh	3.7v 12000mAh	3.7v 12000mAh
Wheel	—	√	—
Weighing			
Capacity	10-6000kg	10-8000kg	10-10000kg
Composite deviation	±10kg /±2‰ ^①	±10kg /±2‰ ^①	±10kg /±2‰ ^①
Maximum working time	100 hours ^②	100 hours ^②	100 hours ^②
Charging time	6 hours ^③	6 hours ^③	6 hours ^③
Sensor			
Material	Alloy Steel	Alloy Steel	Alloy Steel
Quantity	4	6	6
Working Temperature	-20°C—65°C	-20°C—65°C	-20°C—65°C

① The actual weighing accuracy may be affected by the ground

② ③ This data is a theoretical calculation value. Actual data may vary