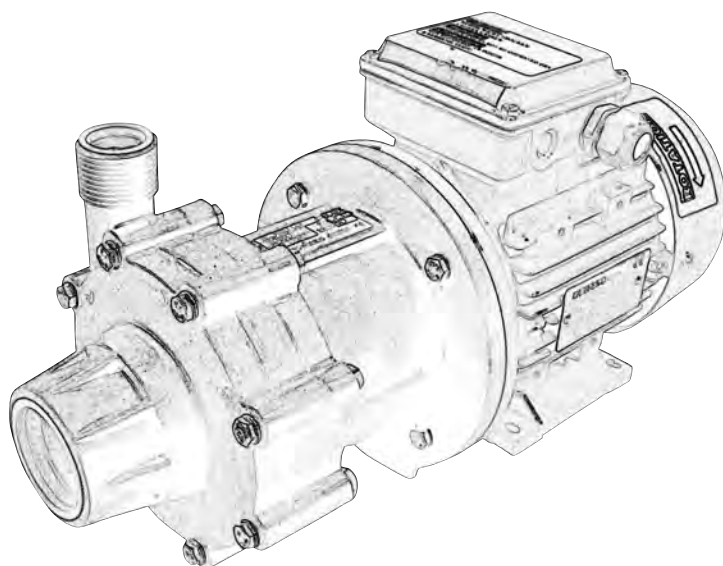


# ADM

## Magnetic Drive Pumps Насосы с магнитной муфтой

Installation, Operation and Maintenance

Установка  
эксплуатация  
техническое обслуживание



CE



ALPHADYNAMIC

<https://prom-nasos.pro>  
<https://bts.net.ua>  
<https://prom-nasos.com.ua>

+38 095 656-37-57  
+38 067 360-71-01  
+38 063 362-12-31  
[info@prom-nasos.pro](mailto:info@prom-nasos.pro)

## INDEX / ОГЛАВЛЕНИЕ

1.	Intrductoion / ВВЕДЕНИЕ .....	4 / 18
1.1	General / Общая информация.....	4 / 18
1.2	Purpose of the Manual / Назначение руководства.....	4 / 18
1.3	Warning symbols for safety / Предупреждающие знаки по технике безопасности.....	4 / 18
1.4	Qualification and training of the personnel / Квалификация и обучение персонала .....	4 / 18
1.5	Explosive atmosphere zones / Зоны взрывоопасной среды .....	4 / 18
2.	Installation / УСТАНОВКА.....	4 / 18
2.1	Safety general warnings / Общие правила техники безопасности .....	5 / 19
2.1.1	Introduction about danger / Введение в понятие об опасности. ....	5 / 19
2.1.2	Indications of danger / Указания об опасности .....	5 / 19
2.2	Receipt and Inspection / Приемка (получение товара) и осмотр.....	6 / 20
2.3	Storage / Хранение.....	6 / 20
2.4	Installation / Установка .....	6 / 20
2.5	Hydraulic system / Гидравлическая система .....	6 / 20
2.6	Pipes connection / Соединение трубопроводов .....	6 / 20
2.7	Monitoring equipment / Контрольно-управляющая аппаратура .....	7 / 21
2.8	Motor connection / Соединение двигателя .....	7 / 21
3.	Operation / ЭКСПЛУАТАЦИЯ .....	8 / 22
3.1	Use and safety / Использование и техника безопасности.....	8 / 22
3.2	Dry-running / Сухой ход.....	8 / 23
3.3	Temperature / Температура .....	9 / 23
3.4	Before starting / Перед началом работы.....	9 / 23
3.5	Starting / Начало работы .....	9 / 23
3.6	Optimum conditions for use / Оптимальные условия использования .....	9 / 24
3.7	Shut down / Прекращение работы .....	9 / 24
3.8	Long pump inactivity/ Период длительного бездействия.....	10 / 24
3.9	Noise level / Уровень шума .....	10 / 24
4.	Maintenance / ТЕХОБСЛУЖИВАНИЕ .....	10 / 24
4.1	General dispositions / Обще положения.....	10 / 24
4.2	Inspections / Осмотр.....	10 / 25
4.3	Procedure before disassembly / Процедура перед разборкой .....	11 / 25
4.4	Disassembly / Разборка.....	11 / 25
4.4.1	Main parts / Основные части .....	11 / 25
4.4.2	Disassembly the pump from the motor / Отсоединение насоса от двигателя .....	12 / 26
4.5	Assembly / Сборка.....	13 / 27
4.6	Motor replacement / Замена двигателя .....	13 / 27
4.7	Tightening torque / Момент затяжки .....	13 / 27
5.	Problem solutions / РЕШЕНИЯ ПРОБЛЕМ .....	14 / 28
6.	Spare parts / ЗАПАСНЫЕ ЧАСТИ .....	14 / 28

6.1	How to order spare parts / Как заказать запасные части.....	14 / 28
7.	Data / ИСХОДНЫЕ ДАННЫЕ .....	14 / 28
7.1	Performance curves / Рабочие характеристики .....	14 / 28
7.2	Technical data and limits / Технические данные и ограничения .....	15 / 29
8.	Warranty and repair / ГАРАНТИЯ И РЕМОНТ .....	15 / 29
8.1	Warranty / Гарантия.....	15 / 29
8.2	Returned parts and repair / Возвращение деталей и ремонт.....	16 / 30
9.	Dimensions drawings / Габаритные чертежи .....	16 / 30

## 1. Introduction

### 1.1 General

This manual refers to mag drive centrifugal pumps of ADM series. Pumps of series ADM are made of thermoplastic materials (Polypropylene or PVDF) and can be of different sizes. Dimensions and capacities available are described in paragraph 7.0.

### 1.2 Purpose of the manual

The main purpose of this manual is to assure that the activities of installation, operation and maintenance of the pumps are executed in a correct and safe way by all the personnel in charge of these operations. This document offers also indications useful for the customer to solve the problems, order spare parts and contact ALPHADYNAMIC Co repair service.

### 1.3 Warning symbols for safety



This symbol indicates a possible danger caused by the presence of electrical fields, contacts or wires with electric current.



All the symbols with the exclamation mark indicate an important situation that needs the attention of the personnel. In particular, these are indications useful for the correct functioning and prevention of possible damage to the equipment.



This symbol indicates the presence of strong magnetic fields which can damage or compromise the functioning of other equipment nearby.



This symbol signals a danger or a situation that requires the maximum attention of the personnel. It's important to respect the instructions stated at the margin of this symbol and proceed very carefully. It's necessary to inform all the personnel and/or users that the rules indicated prevent injuries.

### 1.4 Qualification and training of the personnel



Those in charge of the installation, operation and maintenance of the pumps have to be qualified to carry out the actions indicated in this manual. ALPHADYNAMIC is not responsible for the inadequate qualification and training of the customer's staff or for the lack of information of the staff regarding the contents of this manual. It's compulsory to always show this manual to the workers in charge of the installation, operation and maintenance of the pump. Keep this manual in a safe place for future consultations.

### 1.5 Explosive Atmosphere Zones



The pumps described in this manual CANNOT be used in explosive atmospheres. These uses require special pumps that ALPHADYNAMIC Co manufactures with particular materials and precautions. Customers who want to use special pumps in these kind of zones have to contact the ALPHADYNAMIC Co technical office for the correct choice of the product.

**WE REMIND YOU THAT THE CLASSIFICATION OF THE ZONE (REF. ATEX 94/9/CE DIRECTIVE) FOR POTENTIALLY EXPLOSIVE ATMOSPHERE ZONES HAVE TO BE DONE BY THE CUSTOMER AND COMMUNICATED TO ALPHADYNAMIC FOR THE RIGHT CHOICE OF THE KIND OF PUMP SUITABLE TO WORK IN THESE ZONES.**

Furthermore, the customer is responsible of the correct installation of the pump in accordance with the requirements stated in the Directive.

## 2. Installation

### Preliminary remarks

All the references to the pumps have to be considered applicable also to systems that use these pumps unless it's specified otherwise.

## 2.1 Safety general warnings

### 2.1.1 Introduction about danger



**ATTENTION:** the non-observance of the indications stated in this manual or the inappropriate use of the equipment by unqualified or unauthorized staff, can cause serious personal injuries or death and damages to products and apparatus!

The technical assistance office is at the complete disposal; in case of doubts or problems you can contact us by phone (Number +30 210 4200338) or write an email to [info@alphadynamic.eu](mailto:info@alphadynamic.eu). It's strongly recommended that you keep **ALPHADYNAMIC PUMPS** written answer.

### 2.1.2 Indications of danger



For the safety of those in charge of the installation of the pump it's necessary to use safety clothing and individual safety devices approved by the current provisions of the law (e.g. Safety glass, gloves and safety insulating-shoes)



The pump contains particularly powerful magnets. It's forbidden for those who have cardiac pacemakers, defibrillators, electronic medical devices, metallic heart valves, metallic prosthesis or sickle cell anaemia, to handle or be in the proximity of the magnets contained inside the pumps. Consult a health care provider for specific recommendations before working with these pumps.

If these warnings are not observed the Certification and the Warranty of the pump can be invalidate



The powerful magnetic fields in the proximity of the pumps can damage heart pacemakers, watches, credit cards, discs and magnetic tapes inside calculators and computers.



When working in the proximity of pumps, consider that the devices or metallic parts that you are handling can be unexpectedly attracted towards the pump causing possible crushing of fingers or hands.



These pumps have been designed and manufactured to be used in specific conditions and within defined limits. The use outside these specifications has to be agreed and approved by the ALPHADYNAMIC technical service. **It must be considered also that, if the pumps are used outside their technical specifications, the CE Certifications and the warranty are no longer valid. Furthermore, if the pump is used outside the technical specifications communicated to us at the moment of the quotation and confirmed in our order confirmation, the customer becomes responsible for the issue of a new CE Certification.**



The pump has to be used only for the applications specified in the order for which ALPHADYNAMIC Co has selected the model, the materials of construction and has tested the pump to respect the specifications. For other uses different from those stated in the order, the customer has to send always a written request to the ALPHADYNAMIC technical office, which on its part will reply in a written form.



There will not be any warranty for repairs or alterations on the product done by the users or third parties not specifically authorized by ALPHADYNAMIC.



Always shut down the pump before touching or proceeding with any intervention on it or on the circuit of installation. The pump must be empty of pumped liquid and it must be completely decontaminated and successfully rinsed with water before any manual operations or disassembling. Make sure that the electrical system to which the pump will be connected has the adequate power and has the correct protection devices (e.g. Grounding, Life safe).



Always switch off the electrical supply before working on the pump for maintenance or part substitution.  
Always keep an extinguisher next to the pump installed.



Always pay maximum attention in the execution of maintenance activities on pumps and on the connected circuits when they are used with dangerous liquids.



The use of an electric starter is recommended. A simple switch can be insufficient to start and stop the electric motor connected to the main electric system. An appropriate starter:

- can prevent accidental starting after a failed attempt to start;
- is a safe switch, protected against water;
- protects the electric motor against overloads due to a short circuit (a fuse protects only the wires);
- resists against starting in overload on the motor, preventing dangerous electric arc and early wear of the electrical contacts.

## 2.2 Receipt and Inspection

Even if ALPHADYNAMIC takes all the necessary precautions during the packaging, we suggest that you carefully check the received material. Check for any missing parts caused by the courier and/or by ALPHADYNAMIC. Check the data on the label of the received pump and compare it with those relative to your purchase order.

If the pump has been supplied with the motor, remove the protective shield from the fan of the motor and try to rotate the motor shaft by hand. If you feel a strong resistance to rotation or if you hear anomalous noises call your reliable reseller or call the ALPHADYNAMIC assistance service directly. Reassemble the protective fan shield before starting the pump.

## 2.3 Storage



If the pump is kept in the warehouse make sure that it's placed in a dry and protected position; always use the original package or an equivalent protection. If the pump has to remain stored for a long period and/or in particularly damp places the use of hygroscopic substance (silica gel) is recommended to prevent damages.



Don't remove the protections of the flanges until the installation and close, if they are not closed already, the discharge and suction pump connections to prevent the intrusion of foreign bodies.



Be informed that a long period of storage of the pumps can provoke:

- deterioration of the isolation of the motor due to absorption of dampness
- deterioration of the gaskets

## 2.4 Installation



ALPHADYNAMIC Co. is not responsible for injury to people or damage to things caused by the wrong installation of the pump or installation executed by non-qualified personnel. Install the pump in a position that guarantees a simple use.



The unit motor/pump has to be fixed on a rigid structure that will enable the support of the entire structure. Make sure that the pump is fixed on a plane surface, in this case use shims under the base-plates of the motor. If necessary use "bumpers" to reduce vibrations towards the fixing surface.

## 2.5 Hydraulic system

The pump is generally part of a hydraulic system that can include a various number of components such as, valves, fittings, filters, expansion joints, instruments, etc. The way the piping is arranged and the position of the components has a great influence on the operation and on the life of the pump.

## 2.6 Pipes Connection <sup>2</sup>

Locate the pump as near as possible to the liquid source and under the level of the liquid (under head).

Always use pipes as short and straight as possible and limit the number of bends assuring radius of curvature as large as possible. Avoid air siphon that can be created in the long piping line. Avoid the creation of siphon also before the suction of the pump.



The piping should be properly supported and kept in line independently from the pump, until its connections, so that the piping doesn't exert loads on the pump.



The sizes of the suction and discharge pipes have to be at least as large as the inlet connection of the pump. Diameter restriction of the suction pipe is responsible and cause of the cavitation of the pump, creating a loss in the performance of the pump and a rapid wear. It's advisable always to use (if in case) flexible reinforced pipes that don't collapse under a situation of depression.



The suction line has to be clean and/or contain a filter to protect the impeller from damage due to impurities, or other foreign particles, especially when starting the plant for the first time. Don't use metallic piping with plastic pumps.

Don't use tools to connect piping to plastic pumps. Make sure that the connections are properly tightened otherwise the suction capacity will be reduced.



The installation of a proper pressure gauge on both the suction and discharge piping is recommended. The installation of gauges allows an easy control of the correct functioning of the pump in relation with the required working point. In case of cavitation or other dysfunctions, the gauges will show evident pressure fluctuations.

<sup>2</sup> If these warnings are not observed the Certification and the Warranty of the pump can be invalidated

## 2.7 Monitoring equipments

According to the importance of the pumping system, it could be useful to maintain a strict control of the performances and conditions of the process. The use of instruments to monitor the pressure of the suction and discharge circuit is recommended.



Even the monitoring of the electric power absorbed by the motor is possible using a wattmeter.

If the temperature of the pumped liquid represents a critical element install in the system a thermometer, preferably on suction line.

These control instruments can advise of abnormal operating conditions of pumps such as: accidentally closed valves, missing liquid, overloads etc.

## 2.8 Motor connection



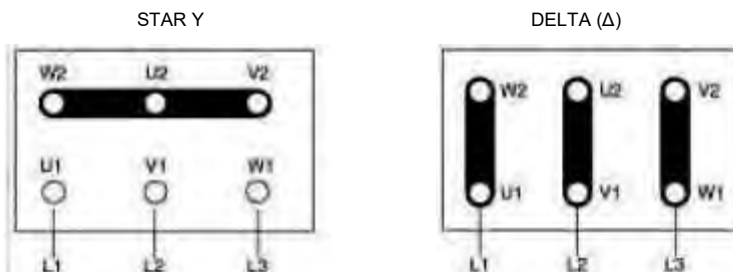
Check that the tension and frequency printed on the label of the motor correspond to those of the electric system to be used.

Don't connect the electric motor directly to the main system but protect the dedicated system with a suitable main switch with adequate safety protections against overloads.

The electric connections have to be always carried out by an expert qualified electrician.



The motors have to be supplied with three-phase tensions or if required by the customer, with mono phase tension. The type of connection of the three-phase motors can be Star (Y) or Delta ( $\Delta$ ) according with the power supply 380 or 220 VAC (see picture 1).



Picture 1



Make sure that the sense of rotation of the motor is that specified on the pump head and eventually indicated by a sticker arrow on the motor fan; to change the sense of rotation it's sufficient to change two of the three entering line (E.g. L1 with L2) in three-phase motors.

Read the following instructions to change the sense of rotation:

- wear individual homologated protection devices (e.g. Gloves, glasses)
- make sure that the operating conditions are analogous to the specifications of the pump (see paragraph 7)
- install the pump in the hydraulic system
- open the suction and the discharge valve completely;
- fill the pump with the liquid. It's recommended to perform this test with an inert liquid like water
- do not run the pump dry (Note: the design of mag drive pumps don't allow dry running because it causes damages to the inner components of the pump)
- start the motor only for one or two seconds to check that the sense of rotation is in the same direction of the arrow on the pump head.



NOTE: a pump turning backwards will pump but at a greatly reduced capacity and pressure

### 3. Operation

#### 3.1 Use and safety

##### ATTENTION:

Dangerous or hazardous actions can cause serious injuries or death to people or serious damage to materials and so it's important to assure the respect of all the warnings relative to the safety and the correct use written in this manual.



Verify always that the pumped liquid is compatible with the materials of construction of the pump. For any clarification please contact ALPHADYNAMIC Co technical office.



In case of use for pumping aggressive, toxic liquids or liquids dangerous for the health of the personnel, it's necessary to install on the pump an adequate protection for the containment, the collection and the warning of any dangerous product in case of leakage: e.g. DANGER OF POLLUTION, CONTAMINATION, INJURIES AND/OR DEATH



Do not pump liquids containing solids in suspension. Mag drive pumps are designed to pump clean liquids. The use of a suction strainer is strongly recommended (however the filter has to be kept clean). We suggest a continuous check of the suction strainer to avoid obstruction of the suction causing cavitation. Avoid in particular to pumping liquids containing ferro oxides or other ferromagnetic particles, even if small. If you are in doubt, please call ALPHADYNAMIC Co technical service (tel. +30210 4200338 ).



Do not reduce the suction. Reduction of the suction is responsible of the cavitation of the pump, which causes a loss of efficiency and a rapid wear. Reduction of the discharge are not advisable, if required, reduction of the capacity can be obtained by means of a valve installed on the discharge pipe.



Do not loosen the connection of the pump while it's under pressure.



Do not start and/or use the pump if there are signs of leak in the system.

The working temperatures have to respect the characteristics of the construction materials of the pump:

- 60 °C polypropylene execution (PP)
- 80° C PVDF execution



**DO NOT ALLOW THE PUMP TO RUN DRY** (note: the mag drive pump design doesn't allow the dry-running functioning because it will damage irrevocably the inner parts of the pump)



An accidental failure can generate sprinklings up to considerable distances.



In case of vibrations or anomalous noises, stop the pump immediately .



Do not pump inflamed liquids.



Do not touch the pump while operating.



Before touching the motor or the bracket switch off the electric current.

#### 3.2 Dry-running



Fill the pump with water or with the liquid to be pumped before starting the unit. This will protect the bearings and the shaft of the pump against dry running. **DO NOT ALLOW THE PUMP TO RUN DRY** because this can cause serious damages to the internal parts of the pump due to the lack of the necessary lubrication.



### 3.3 Temperature

Increasing the temperature of the pumped liquid can damage the pump and/or the piping/fittings and there can be a situation of serious danger for the people in the nearby.

Avoid sudden changes of the temperature and do not exceed the temperature specified in your order. See the value of temperatures of the construction materials of the pumps in the paragraph 3.1.

### 3.4 Before starting

Make sure that the pump is installed in accordance with the instructions supplied in the previous section 2.



When the pumping station is new, it's necessary to fill the system with water to control that there are no leaks. **WHEN THE PUMP IS INSTALLED OVER HEAD IT HAS TO BE PRIMED, THIS MEANS THAT IT HAS TO BE FILLED WITH THE LIQUID AND THE SUCTION PIPING HAS TO BE KEPT FULL OF LIQUID BEFORE STARTING THE PUMP.**



**ATTENTION:** some liquids react with water. **VERIFY IF THE LIQUID TO BE PUMPED REACTS WITH WATER. IN THIS CASE THE SYSTEM HAS TO BE COMPLETELY EMPTIED AND DRIED.**

### 3.5 Starting

Start the electric motor and gradually open the discharge pipe until you reach the required flow.

The pump can't operate more than two or three minutes with the discharge closed. A longer period can cause serious damage to the pump.

If the pressure shown on the pressure gauge on the discharge piping does not increase, stop the pump immediately and release the pressure carefully.

Repeat the operation of installation of the pump as in paragraph 2.

If during the starting procedure there are changes of flow-rate, of density, temperature or viscosity of the liquid, stop the pump and contact ALPHADYNAMIC CO technical service.

### 3.6 Optimum conditions for use

Operating continuously at the maximum performances (maximum capacity/head) there can be an early wear of the pump. As a general rule, we recommend using the pump at half of its maximum capacity (see the paragraph relative to the technical data)



The capacity and the head of the pump refer to water pumping at room temperature. If it pumps high temperature liquids or other viscosities and densities, the performances have to be proportionately decreased. Pumps of series ADM work well with liquids having a viscosity up to 100 CPS<sup>3</sup> and specific gravity up to 1.9<sup>3</sup>. **HOWEVER BOTH THE VISCOSITY AND THE SPECIFIC GRAVITY HAVE TO BE COMMUNICATED AT THE MOMENT OF QUOTATION.** The electric motor is selected for the viscosity and the specific gravity communicated. In the case of higher values, the power of the motor could be insufficient.

### 3.7 Shut down

Normally the pump should be shut down only after closing the discharge valve. If the suction valve is closed before the other, cavitation of the pump can occur.

If the suction is flooded, close the valve after shutting down the pump.



In some cases the pump can be used to empty tanks, in these situations the liquid can stop flowing in the pump while this is still working. In these cases a pump operating without liquids (that means dry-running) can be dangerously damaged if it's not stopped immediately. For such applications the use of automatic equipment or the constant presence of a person who can shut down the pump is recommended.

### 3.8 Long pump inactivity



If the pump has to remain inactive for a long period, before stopping it, it's recommended to let water flow in the system for several minutes so that you avoid any risk of internal deposits or sediments or precipitations of solid parts. Drain the liquid in the pump. An eventual freezing of the liquid inside the pump can cause damage. Always verify if the pumped liquid reacts with water. In this case contact ALPHADYNAMIC Co to find an alternative solution.

If the pump is temporary removed from the system and kept in stock, it's necessary to follow the instructions of paragraph 2.3 "Storage".

### 3.9 Noise level



In some circumstances, for example when the pump works with high pressure and low capacity the noise increases and can be disturbing for the personnel working in the proximity. In this case it's possible to intervene with:

- earplugs;
- protective homologated caps against noises for the personnel in the proximity;
- soundproofing canopy for the pump. In these cases make sure that the motor ventilation is guaranteed.

<sup>3</sup> The values indicated are merely indicative and can vary in the series of pumps mod. ADM

## 4. MAINTENANCE

### 4.1 General dispositions

During the warranty period disassembly activities of the pump are allowed only for ALPHADYNAMIC Co personnel or personnel authorized by ALPHADYNAMIC Co . All the operations described in the paragraphs below have to be done exclusively by qualified staff and following step by step all the warnings written in this manual.



Clean the external surface of the pumps using only antistatic equipment. Every operation executed on the apparatus has to be done after the disconnection of electric supply.



Use exclusively a goods lift to move pumps with weight higher than 16 kg. During the movements of the machine or parts of the machine avoid collisions or falls which can damage the apparatus.



Before disassembling the parts of the pump, make sure that the dangerous internal liquids have been removed /washed. **THE PUMP HAS TO BE DRAINED AND DECONTAMINATED.**

Pay attention that some internal liquids can have dangerous reactions in contact with water.



During the operations of unloading of dangerous liquids make sure that situations of danger for people or environment don't occur.

### 4.2 Inspections

In general mag drive pumps do not need a "routine" maintenance and most of all they don't require frequent dismantling.

However periodical inspections are advisable to verify the state of wear of the impeller, the shaft and the bearings and if the general conditions of the internal parts of the pump are good.

The time between the inspections is strongly dependent on the operation conditions of the pump: the characteristics of the liquid, the temperature, the materials used and obviously the period of operation.

If a problem occurred or the pump needs a complete inspection see section "Problem solutions" and "Pump disassembly".

### 4.3 Procedure before disassembly



**ATTENTION:**

If the pump has pumped hot liquids, make sure that it's been cooled before the disassembly procedure. It's possible that the pump has pumped toxic and/or dangerous liquids: so it's necessary to wear protection for the skin and the eyes.



**ATTENTION:**

Make sure that the pump has been carefully decontaminated and cleaned. Wash and neutralize completely the dangerous liquids inside the pump. The liquid has to be collected and eliminated according to the existing environmental laws. After disconnecting the discharge and suction pipes close the extremities.



**ATTENTION:**

ALPHADYNAMIC Co. pumps contain extremely strong magnets. The use of non ferro-magnetic tools and working surfaces is highly recommended.

Pay attention to the strong magnetic attraction when disassembling/assembling the unit motor-external magnet of the pump.



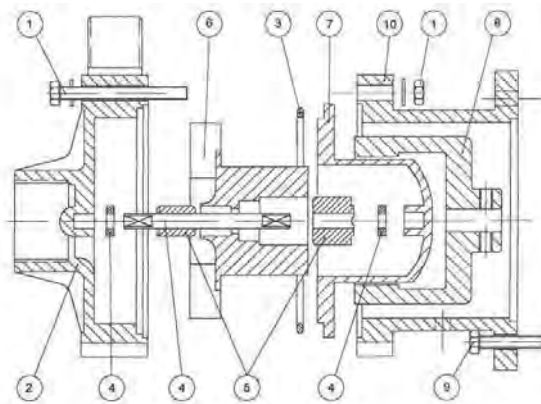
The area in which maintenance is done has to be clean and without ferric particles that can be attracted by the magnets.

### 4.4 Disassembly

NOTE: the photos used to show the operations of disassembly refer to a particular pump model of the series ADM and consequently the pump supplied to you can be slightly different from what is shown.

#### 4.4.1 Main parts

The drawing below shows a section with all the main parts of a pump series ADM in thermoplastic material (in particular models 15 and 31).



POS.	1	2	3	4	5	6	7	8	9	10
PART.	SET	FRONT	O-RING	SHAFT	BEARING	IMPELLER	REAR	EXTERNAL	SCREWS	BRACKET
DESCR.	SCREWS	CASING		+ RING		+INTERNAL MAGNET	CASING	MAGNET		

Photo N. 1 shows the main parts of a pump series ADM in thermoplastic material (excluding the motor)

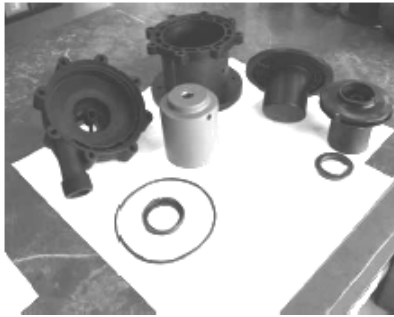


Photo No. 1

#### 4.4.2 Disassembly the pump from the motor

1. Remove the screws securing the pump and the motor flange (Photo N. 2)
2. Separate the pump from the motor (Photo N. 3)
3. If it's necessary to remove the external magnet (Photo N. 4) from the motor shaft proceed unscrewing the grub screw with an Allen key and then use a puller to avoid damage to the motor shaft or the external magnet.



Photo 2



Photo 3



Photo 4

4. From the bracket of the pump disassemble the head (Photo No. 5 and 6) after removing the bolts



Photo 5



Photo 6



5. Remove the group of the internal rotor (internal magnet, impeller with the front bearing -Photo No. 7) and check the wear of the shaft and the bearings (Photo No. 8). Pay attention that the shaft and the bearings are in ceramic and so very fragile. Then remove the rear casing and replace the external o-ring (Photo No. 9)



Photo 7



Photo 8



Photo 9

The parts that can be periodically replaced are:

- O-ring (part 3 in the section drawing)
- Bearings (part 9 in the section drawing)
- Casing thrust bush (part 4 in the section drawing)

#### 4.5 Assembly

The sequence (in reverse) of operations of assembly is the same as that of disassembly. However it's necessary to consider the following warnings:

##### ATTENTION:



Clean accurately every component before assembly, make sure that the parts are not dirty, and don't have metallic particles etc



- always verify the correct placement of the bearings and then use a hand press for their complete introduction in seat;

- make sure that when closing the pump, the o-ring is perfectly in seat and is not pinched;



- during the introduction of the pump on the motor pay attention to the magnetic attraction that can cause injury to fingers or hands;

- use dynamometric wrench for the correct strength to tighten the bolts in accordance with the chart of the following section 4.7.



- after assembling the pump on the motor flange, remove temporarily the protective shield on the fan at the back of the motor and rotate it by hand to check the free rotation of the unite. In case of excessive friction or anomalous noises, disassemble the group (instructions paragraph 4.4) and find out the cause of the problem. Never use the pump without proceeding with this test. Reassemble the fan protective shield before starting the pump. Do not start the pump if the fan protective shield is not installed.

#### 4.6 Substitution of the motor

Proceed as indicated in the previous paragraph 4.4.2. Make sure that the characteristics of the motor are equal to those of the replaced motor. The manufacturer of the new motor can be different from that of the motor already mounted.

#### 4.7 Tightening torque

The recommended tightening torque are written in the following chart:

ADM PP/PVDF	ADM 4		ADM 6		ADM 10		ADM 15		ADM 31		ADM 40 - 50	
	screw	Nm	screw	Nm	screw	Nm	screw	Nm	screw	Nm	screw	Nm
Motor/ pump	M5	5/6	M6	8/10	M6	8/10	M8	15/20	M10	25/30	M10	25/30
Pump head/ bracket	M5	3/4	M5	3/4	M6	6/8	M6	6/8	M8	10/12	M8	10/12

## 5 . Problem solutions

DEFECTS	POSSIBLE CAUSE	INDICATION (WHAT TO DO)
The pump does not start	a. Inspect the electrological installation b. Communicate with the installer	
The pump is operating and not pumping	a. Inspect the fluid tunk b. Inspect the filter c. Inspect the valves d. Communicate with the installer	IMMEDIATE STOP
The pump has low efficiency	a. Inspect the filter b. Inspect the valves c. Inspect the direction of the rotation d. Communicate with the installer	IMMEDIATE STOP
Noise and vibrations	a. Inspect the filter b. Inspect the valves c. Inspect how it is seated	IMMEDIATE STOP
Overheating	a. Inspect the air-conditioning b. Inspect the filter c. Inspect the suction valves d. Check the fluid	IMMEDIATE STOP
Fall of the thermal (overloading)	a. Restrain (struggle) the exit valve and communicate with the installer.	IMMEDIATE STOP

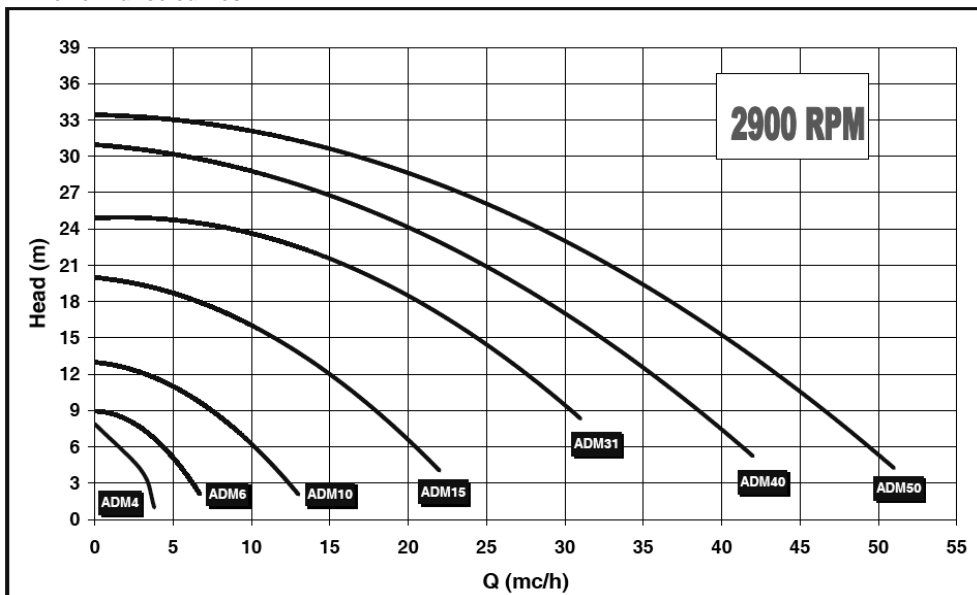
## 6. Spare parts

### 6.1 How to order spare parts

A complete kit of spare parts for these kinds of pumps is available. Please contact ALPHADYNAMIC PUMPS co or our distributors. To have the spare parts it's necessary to communicate the model of the pump, the size, the material, the serial number, the year of construction and the number relative to the spare part required. All the references are written directly on the pump label and on the section drawings of the pump. If you don't have the necessary drawings please contact the ALPHADYNAMIC PUMPS Co.

## 7. Data

### 7.1 Performance curves



## 7.2 Technical data and limits

The performance curves are valid for homogeneous liquids with specific gravity =1, viscosity 1 cPs and temperature of 20 °C. If the liquid to be pumped has a specific gravity higher than 1, the absorbed power written on the performance curve has to be increased according to the value of the specific gravity of the liquid. For liquids having specific gravity higher than 2, please contact the ALPHADYNAMIC technical service

The performance curves are valid for homogeneous liquids having viscosity of 1CPS. If the pumped liquid has a viscosity different from 1 CPS the values of Q/H will be altered. The performance of the pump will decrease. For liquids having viscosity lower than 0.5 CPS or greater than 150 CPS please contact the ALPHADYNAMIC PUMPS Co technical service.

Values of required NPSH written on the performance curves are the lower required values. As a rule, for safety reasons, the value of NPSH of the system (NPSH available) should be at least 0,5 m higher than the value of required NPSH (written on the performance curves).

Values of performances written on the curves refer to trial pumps during prototype phase. In pumps manufactured in series such values can be lower. Usually these values have to be considered as follows:

- pumps with discharge up to 25mm: - 3 points
- pumps with discharge superior to 25mm: - 2 points

Characteristics of pumps series ADM are guaranteed by the manufacturer with tolerances in accordance with UNI EN ISO 9906:2002 regulation. With respect to other specifications or regulations requiring more restricted tolerances, these have to be specifically asked for at the moment of quotation; in this case ALPHADYNAMIC PUMPS Co will choose a pump more suitable and the required regulations will be considered.

## 8. WARRANTY AND REPAIR

### 8.1 Warranty

All ALPHADYNAMIC PUMPS Co products are guaranteed for a period of twelve (12) months starting from the delivery date of the goods.

For the warranty service to be applicable the customer must report the defect in writing no later than 8 (eight) days from the moment that the damage occurs, and must return the part (or parts) to ALPHADYNAMIC PUMPS Co for repair or replacement. Pumps cannot be repaired or substituted on site. In the case of a request of warranty service, it's better to send the complete pump together with its motor to ALPHADYNAMIC PUMPS Co.

The costs of delivery and the relative risks, and possible customs duties have to be paid by the customer. ALPHADYNAMIC PUMPS Co will not accept the costs of collection and shipment. The manufacturer is not responsible for damages caused during the shipment of the parts or of the pump sent to ALPHADYNAMIC Co to be repaired under warranty.

The warranty system provides that, after a careful examination at our factory, ALPHADYNAMIC is free to choose to repair or replace the part (or parts) of the pump which is/are defective in materials or in workmanship, or both. We will not give any refund or credit for the defective material or for direct or indirect damages caused by our pumps. In any case, any reimbursement cannot exceed the cost of the pump or of the supplied material.

If the pumped liquid and the needed performances have not been communicated to ALPHADYNAMIC before the offer and confirmed in the quotation and order confirmation, the customer takes the whole responsibility for the usage of the product, especially if not used in an appropriate way, and the warranty, the conformity to the Machine Directive 2006/42/CE and the relative CE declaration are no longer valid. In this case the customer is the only responsible for the introduction of the pump in the market, for the declaration of conformity to the Machine Directive and the CE mark. In any case the user is considered the one who knows better the chemical compatibility and the reactions between the liquid to be pumped and the material of construction of the pump and consequently the information given in this regard by ALPHADYNAMIC PUMPS is merely indicative.

If the returned piece is no longer covered by guarantee, or if after inspection ALPHADYNAMIC PUMPS finds the piece to be not defective, inspection charges will be charged to the customer and the repaired or substituted piece will be returned to the customer at the customer's own expense.

Pumps which have been repaired or substituted under guarantee will be supplied on the same delivery conditions as the order and the warranty will not be extended. Warranty does not cover components subject to natural wear due to time, such as mechanical seals, bearings, bushings and lip seals.

The customer is solely responsible for the good performance of pumps and for their careful maintenance. Therefore no claims will be allowed when goods have been improperly handled (not stored in a suitable closed dry place, which is necessary because of the fragility of materials), contaminated, handled with negligence, improperly installed, tampered with or not well regulated, incorrectly used in wrong applications. In particular, ALPHADYNAMIC Co will not take any responsibility in the case of wear due to corrosion.

Ordinary maintenance and repair executed outside ALPHADYNAMIC Co authorized network, will cause invalidation of the warranty and of the CE declaration of conformity. The warranty does not cover damages due to extraordinary or natural events, such as lightning, ice, fire and others.

All the warranty obligations are considered fully satisfied after the repair or substitution of the defective parts.

The Warranty service will be suspended in the case of default or delayed payment and the period lost cannot be recovered.

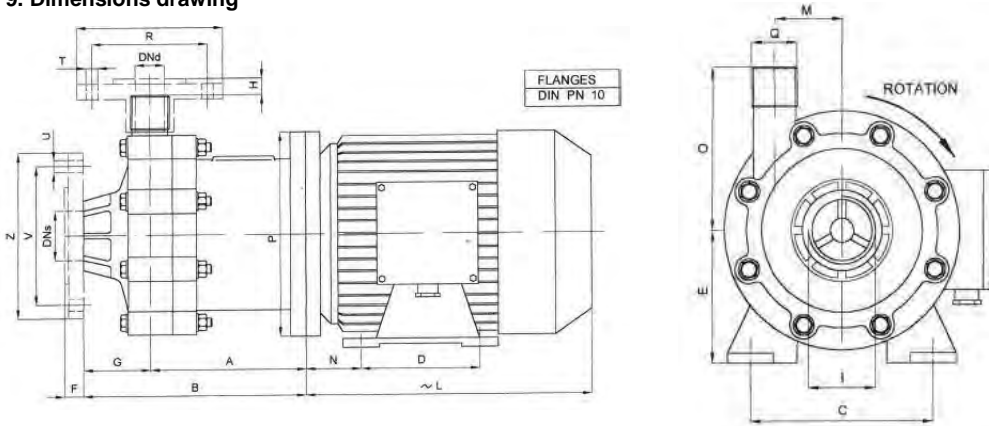
This warranty is an integral part of the offer and of the order confirmation. In the case of litigation the court which has jurisdiction is the Athens (Greece ) and the law that will be applied is the Greek Law.

### 8.2 Returned parts and repair

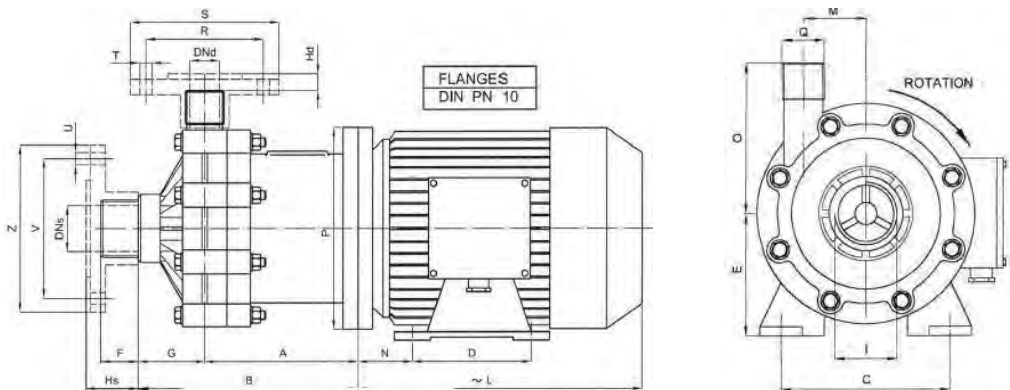
All our distributors offer a complete repair service. Contact your local distributor or ALPHADYNAMIC Co. directly.

Before sending the pump back to our repair services or to ALPHADYNAMIC Co, the pumps have to be decontaminated from the used dangerous liquids. Before sending the pump the customer has to fill in the Decontamination Declaration and send it by e-mail or fax as per the facsimile document in the next paragraph 8.3.

### 9. Dimensions drawing

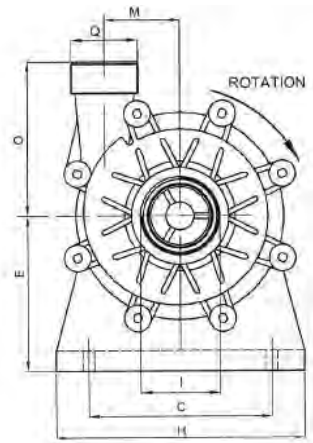
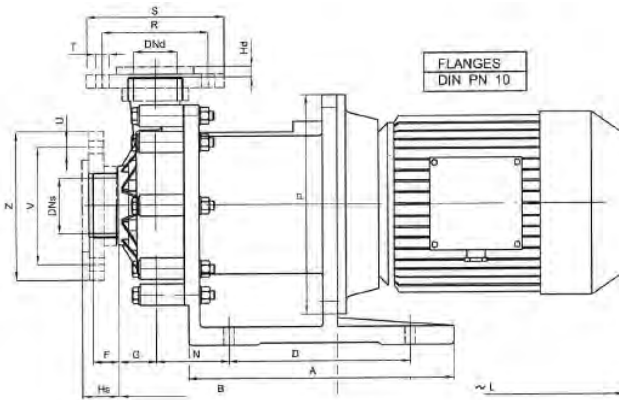


Pump type	KW	Dimensions –mm-														
		A	B	C	D	E	F	G	H	I	L	M	N	O	P	Q
ADM 4	0,12	76	115	90	71	56	-	39	-	1" FPT	176	36	34	80	120	½" FPT
ADM 6	0,25	84	143	100	80	63	18	59	10	1" FPT	191	45	40	98	140	¾" FPT
ADM10	0,55	110	180	112	90	71	20	70	9	1 ½" FPT	215	45	45	100	160	1" FPT





Pump Type	KW	Dimensions –mm-															
		A	B	C	D	E	F	G	H <sub>s</sub>	H <sub>d</sub>	I	L	M	N	O	P	Q
ADM 15	1.5	160	240	140	100	56	28	52	42	13	2" MALE	256	66	56	135	200	1 1/2" MALE
ADM 31	2.2	184	245	140	100	63	30	61	44	13	2 1/2" MALE	256	66	56	140	200	2" MALE
ADM 40	3	228	280	160	140	71	40	52	50	10	3" MALE	315	82	63	180	250	2 1/2" MALE
ADM 40	4	228	280	190	140	112	40	52	50	10	3" MALE	325	82	70	180	250	2 1/2" MALE



Pump Type	KW	Dimensions –mm-															
		A	B	C	D	E	F	G	H <sub>s</sub>	H <sub>d</sub>	I	L	M	N	O	P	Q
ADM 50	5.5	365	300	216	250	192	40	52	50	10	3" MALE	360	82	98	180	300	2 1/2" MALE
ADM 50	7.5	365	300	216	250	192	40	52	50	10	3" MALE	400	82	98	180	300	2 1/2" MALE

## 1. ВВЕДЕНИЕ

### 1.1 Общая информация

Данное руководство относится к центробежным насосам с магнитным приводом серии ADM. Насосы серии ADM выполнены из термопластичных материалов (полипропилен или PVDF) и могут быть разных размеров. Размеры и доступные возможности описаны в пункте 7.0.

### 1.2 Назначение руководства

Основной целью данного руководства является гарантия, что работа по установке, эксплуатации и обслуживанию насосов выполнена правильным и безопасным образом, персоналом, ответственным за эти операции. Этот документ предлагает также полезные для клиента указания, с помощью которых можно решать проблемы, заказывать запасные части и связываться с ремонтной службой ALPHADYNAMIC Co.

### 1.3 Предупреждающие знаки по технике безопасности



Этот символ указывает на возможную опасность, вызванную наличием электрических полей, контактов или проводов с электрическим током.



Все символы с восклицательным знаком указывают на важные обстоятельства, которые нуждаются в особом внимании персонала. В частности, это знаки, полезные для правильного функционирования и предотвращения возможного повреждения оборудования.



Этот символ указывает на наличие сильных магнитных полей, которые могут повредить или поставить под угрозу функционирование другого оборудования, находящегося поблизости.



Этот символ сигнализирует об опасности или об обстоятельствах, которые требуют максимального внимания персонала. Важно уделить внимание правилам, указанным после этого символа и действовать очень осторожно. Необходимо сообщить всему персоналу и/или пользователям о том, что указанные правила помогут избежать травм.

### 1.4 Квалификация и обучение персонала

Лица, ответственные за установку, эксплуатацию и техническое обслуживание насосов должны быть квалифицированы, чтобы выполнять указания данного руководства. ALPHADYNAMIC не несет ответственность за недостаточную квалификацию и обучение персонала заказчика или за отсутствие информированности персонала о содержании данного руководства. Всегда необходимо знакомить работников, отвечающих за установку, эксплуатацию и техническое обслуживание насоса с настоящим руководством. Храните это руководство в безопасном месте для последующих консультаций



### 1.5 Зоны взрывоопасной среды

Насосы, описанные в данном руководстве НЕЛЬЗЯ использовать во взрывоопасной среде. В такой среде необходимо использовать специальные насосы, которые ALPHADYNAMIC Co производит из специальных материалов и с определенными мерами предосторожности. Клиенты, которые хотят использовать специальные насосы в подобных зонах, должны связаться с техническим отделом ALPHADYNAMIC Co для правильного выбора продукта.



**НАПОМИНАЕМ, ЧТО КЛАССИФИКАЦИЯ ЗОНЫ (см. ДИРЕКТИВУ АТЕХ 94/9/СЕ) ДЛЯ ПОТЕНЦИАЛЬНО ВЗРЫВООПАСНЫХ АТМОСФЕРНЫХ ЗОН ДОЛЖНА БЫТЬ СДЕЛАНА ПО ВЫБОРУ ЗАКАЗЧИКА И ДОНЕСЕНА ДО ВЕДОМА ALPHADYNAMIC ДЛЯ ПРАВИЛЬНОГО ВЫБОРА ТИПА НАСОСА, ПОДХОДЯЩЕГО ДЛЯ РАБОТЫ В ЭТИХ ЗОНАХ.**

Кроме того, клиент несет ответственность за правильную установку насоса в соответствии с требованиями, изложенными в Директиве.

## 2. УСТАНОВКА

### Предварительные замечания

Все ссылки на насосы должны быть применены также к системам, которые используют эти насосы, если не указано иное.

## 2.1 Общие правила техники безопасности<sup>1</sup>

### 2.1.1 Введение в понятие об опасности



**ВНИМАНИЕ:** несоблюдение указаний, изложенных в этом руководстве, или неправильное использование оборудования неквалифицированным или несанкционированным персоналом может привести к серьезным травмам или смерти и повреждениям оборудования!

Офис технической помощи находится в Вашем полном распоряжении; а в случае сомнений или возникновения проблемы вы можете связаться с нами по телефону (номер +30 210 4200338) или написать нам на [info@alphadynamic.eu](mailto:info@alphadynamic.eu). Настоятельно рекомендуем сохранять письменные ответы **ALPHADYNAMIC PUMPS**

### 2.1.2 Указания об опасности



Для безопасности лиц, ответственных за установку насоса необходимо использовать защитную одежду и индивидуальные защитные средства, утвержденные действующим законодательством (например, бесосколочное стекло, защитные перчатки и защитную изоляционную обувь).

Насос содержит особенно мощные магниты. Тем, кто носит кардиостимуляторы, дефибрилляторы, электронные медицинские приборы, металлические клапаны сердца, металлические протезы или людям с серповидно-клеточной анемией запрещено взаимодействие с насосами или нахождение в непосредственной близости от магнитов, содержащихся внутри насосов. Обратитесь к врачу для получения конкретных рекомендаций, прежде чем работать с этими насосами.

<sup>1</sup> При несоблюдении этих предупреждений Сертификат и Гарантия насоса могут быть аннулированы



Мощные магнитные поля в непосредственной близости от насосов могут повредить кардиостимуляторы, часы, кредитные карты, диски и магнитные ленты внутри калькуляторов и компьютеров.



Примите во внимание, работая в непосредственной близости от насосов, что устройства или металлические части, которые вы держите в руках, могут неожиданно притянуться к насосу и, возможно, повредить пальцы или руки.



Эти насосы были разработаны и изготовлены для применения в конкретных условиях и в определенных пределах. Их использование за рамками этих спецификаций должно быть согласовано и утверждено технической службой ALPHADYNAMIC. **Необходимо учитывать также, что, если насосы используются за пределами своих технических характеристик, то Сертификат CE и Гарантия становятся не действительными. Кроме того, если насос используется за пределами технических характеристик, сообщенных нам в момент котировки и указанных в нашем подтверждении заказа, клиент становится ответственным за выдачу нового сертификата CE.**



Насос должен использоваться только для целей, указанных в заказе, для которых ALPHADYNAMIC Co выбрал модель, материалы конструкции и провел испытания насоса на предмет соответствия спецификациям. Для использования с другими целями, отличительными от изложенных в заказе, клиент всегда должен отправить письменный запрос в технический отдел ALPHADYNAMIC, который со своей стороны ответит в письменной форме.

Гарантия не распространяется на такой ремонт или замену оборудования пользователем или третьей стороной, который не был оговорен ALPHADYNAMIC.



Всегда выключайте насос перед тем, как прикасаться к нему или каким-либо образом вмешиваться в его работу или в схему его установки. Насос должен быть освобожден от перекачиваемой жидкости, и он должен быть полностью очищен и тщательно промыт водой перед началом любых ручных операций или разборки.

Убедитесь, что электрическая система, к которой насос будет подключен, имеет достаточную мощность и имеет правильные устройства защиты (например, заземление, безопасность жизни).



Всегда выключайте электрическое питание перед началом технического обслуживания насоса или замены его запасных частей.

Всегда держите огнетушитель рядом с установленным насосом.



Всегда обращайтесь максимум внимания при выполнении работ по техническому обслуживанию насосов и на подключенных контурах, когда они используются с опасными жидкостями.

Рекомендуется использование электрического стартера. Простой переключатель может быть неэффективен для запуска и остановки электродвигателя, подключенного к основной электросети. Подходящий стартер:



- поможет избежать случайного запуска после неудачной попытки старта;
- является безопасным переключателем, защищенным от воды;
- защищает электродвигатель от перегрузок из-за короткого замыкания (предохранитель защищает только провода);
- сопротивляется запуску с перегрузкой на двигателе, предотвращая опасную электрическую дугу и ранний износ электрических контактов.

## 2.2 Приемка (получение товара) и осмотр

Даже если ALPHADYNAMIC принимает все необходимые меры предосторожности во время упаковки, мы предлагаем вам внимательно проверить полученный товар. Проверьте, нет ли недостающих частей, по вине курьера и / или ALPHADYNAMIC.

Проверьте данные на этикетке полученного насоса и сравните их с вашим заказом.

Если насос снабжен двигателем, снимите защитный щит на вентиляторе двигателя и попытайтесь повернуть вал двигателя вручную. Если Вы почувствуете сильное сопротивление вращению или если вы слышите аномальные шумы, позвоните Вашему торговому посреднику или позвоните в службу помощи ALPHADYNAMIC напрямую. Установите на место защитный щит вентилятора перед запуском насоса.

## 2.3 Хранение



Если насос хранится на складе, убедитесь, что он находится в сухом и защищенном месте; всегда используйте оригинальную упаковку или эквивалентную защиту. Если насос должен храниться в течение длительного периода и/или в особенно сырых условиях, рекомендуется использование гигроскопического вещества (силикагеля) для предотвращения повреждений.



Не удаляйте защиты фланцев до установки и закройте, если они еще не закрыты, соединения нагнетания и всасывания насоса, чтобы предотвратить попадание внутрь инородных тел.



Имейте в виду, что длительный период хранения насосов может спровоцировать:

- ухудшение изоляции двигателя за счет поглощения влаги
- ухудшение прокладок

## 2.4 Установка



ALPHADYNAMIC Co. не несет ответственность за травмы людей и повреждение вещей, вызванных неправильной установкой насоса или установкой, выполненной неквалифицированным персоналом.

Установите насос в таком положении, которое будет гарантировать его простое использование.



Блок двигателя/насоса должен быть закреплен на жесткой конструкции, что обеспечит поддержку всей структуре. Убедитесь, что насос закреплен на плоской поверхности, в этом случае используйте прокладки под основанием пластин двигателя. При необходимости, используйте "бамперы", чтобы уменьшить вибрацию прикрепляемой поверхности.

## 2.5 Гидравлическая система

Насос, в целом, является частью гидравлической системы, которая включает в себя различное число компонентов, таких как, вентили, фитинги, фильтры, компенсаторы, инструменты и т.д. Расположение трубопроводов и положение компонентов имеет большое влияние на обслуживание и на продолжительность работы насоса.

## 2.6 Соединение трубопроводов <sup>2</sup>

Расположите насос как можно ближе к источнику жидкости и ниже уровня жидкости (под головкой).

Всегда используйте по возможности, самые короткие и самые прямые трубы и ограничьте количество изгибов, обеспечивающих радиус кривизны как можно больше. Избегайте образования воздушного сифона в длинном трубопроводе. Не допускать образования сифона также перед процессом всасывания насоса.



Трубопровод должен надлежащим образом поддерживаться и удерживаться в связке независимо от насоса, пока его не присоединят, так чтобы трубопровод не оказывал нагрузку на насос.



Размеры всасывающего и напорного трубопроводов должны быть, по крайней мере, такого размера, как на входе подключения насоса. Ограничение диаметра всасывающей трубы несет ответственность и является причиной кавитации насоса, создавая потери производительности насоса и быстрый износ. Всегда рекомендуется использование (даже если и на всякий случай) гибких армированных труб, которые в ситуации снижения нагрузки не потеряют устойчивость.



Линия всасывания должна быть чистой и/или содержать фильтр для защиты рабочего колеса от повреждений из-за примесей или других посторонних частиц, особенно при запуске насоса впервые.

Не используйте металлические трубы с пластмассовыми насосами.

Не используйте инструменты для подключения труб к пластиковым насосам. Убедитесь, что все соединения надежно затянуты в противном случае всасывающая способность будет снижена.



Рекомендуется установка соответствующего манометра как на всасывающей, так и на нагнетательной трубе. Установка датчиков позволяет легко контролировать правильное функционирование насоса в соответствии с требуемыми рабочими показаниями. В случае возникновения кавитации или других нарушений, датчики покажут очевидные колебания давления.

<sup>2</sup>В случае несоблюдения этих предупреждений Сертификация и Гарантия насоса могут быть признаны недействительными.

## 2.7 Контрольно-управляющая аппаратура

Учитывая важность насосной системы, могло бы быть полезно поддерживать строгий контроль за условиями осуществления процесса. Рекомендовано использование инструментов для контроля давления всасывающего и напорного контура.



С помощью ваттметра возможен даже мониторинг электроэнергии, потребляемой электродвигателем.

Если температура перекачиваемой жидкости является критической, установите в систему термометр, желательно на линии всасывания.

Эти контрольные приборы могут проинформировать об аномальных условиях эксплуатации насосов, таких как: случайно закрытых клапанах, отсутствии жидкости, перегрузках и т.д.

## 2.8 Соединение двигателя



Убедитесь, что напряжение и частота на этикетке двигателя соответствуют таковым электрической системы, которая будет использоваться.

Не подключайте электродвигатель непосредственно к основной системе, но защитите данную систему с помощью подходящего главного выключателя с адекватной безопасной защитой от перегрузок.

Электрические соединения всегда должны осуществляться опытным квалифицированным электриком.



Двигатели должны быть снабжены трехфазным напряжением или, если это требуется заказчику, монофазным напряжением. Тип подключения трехфазных двигателей может быть Звезда (Y) или Дельта (Δ) в соответствии с источником питания 380 или 220 В переменного тока (см. рисунок 1).

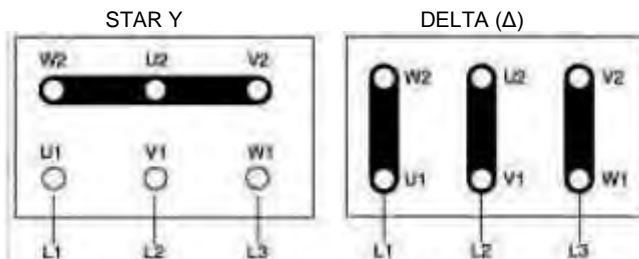


Рисунок 1



Убедитесь, что направление вращения двигателя соответствует тому, что указано на головке насоса и о нем, в конечном итоге, свидетельствует наклейка стрелки на вентиляторе двигателя; чтобы изменить направление вращения, достаточно изменить две из трех входящие линии (например, L1 с L2) в трехфазных двигателях.

Прочитайте следующие инструкции, чтобы изменить направление вращения:

- носите индивидуальные омоложенные средства защиты (например, перчатки, очки);
- убедитесь, что условия эксплуатации аналогичны спецификациям насоса (см. пункт 7);
- установите насос в гидравлической системе;
- откройте всасывающий и нагнетательный клапан полностью;
- заполните насос жидкостью. Рекомендуется выполнить этот тест с такой инертной жидкостью, как вода;
- не запускайте насос вхолостую (Примечание: дизайн насосов с магнитным приводом не позволяют работу всухую, потому что такая работа вызывает повреждения внутренних компонентов насоса);
- запускайте двигатель только на одну или две секунды, чтобы проверить, что направление вращения находится в направлении, указанном стрелкой на головке насоса.



ПРИМЕЧАНИЕ: в обратном направлении насос будет качать, но со значительно сниженной производительностью и давлением.

### 3. ЭКСПЛУАТАЦИЯ

#### 3.1 Использование и техника безопасности

##### ВНИМАНИЕ:

Опасные или вредные действия могут привести к серьезным травмам или смерти людей либо серьезного повреждения системы, и поэтому очень важно выполнять все предупреждения безопасности и правильного использования, изложенные в настоящем руководстве.



Всегда убеждайтесь, что перекачиваемая жидкость совместима с материалами конструкции насоса. По любым вопросам, пожалуйста, связывайтесь с техническим отделом ALPHADYNAMIC Co.



В случае использования для перекачивания агрессивных, токсичных жидкостей, или жидкостей опасных для здоровья персонала, необходимо установить на насосе адекватную защиту для сдерживания, сбора и предупреждение о любой опасной продукции в случае утечки: например, ОПАСНОСТЬ ЗАГРЯЗНЕНИЯ, ЗАРАЖЕНИЯ, ТРАВМЫ И/ИЛИ СМЕРТИ.



Не перекачивайте жидкости, содержащие твердые частицы во взвешенном состоянии. Насосы с магнитным приводом предназначены для перекачивания чистых жидкостей. Использование впускного сетчатого фильтра настоятельно рекомендуется (однако фильтр должен быть чистым). Мы предлагаем непрерывную проверку впускного сетчатого фильтра, во избежание обструкции всасывания, вызывающей кавитацию. Избегайте в частности, перекачивания жидкостей, содержащих ферро оксиды или другие ферро магнитные частицы, даже мелкие. Если у вас есть сомнения, пожалуйста, позвоните в отдел технического обслуживания ALPHADYNAMIC Co (тел. +30210 4200338).



Не уменьшайте всасывание. Уменьшение всасывания причиняет кавитацию насоса, что приводит к потере эффективности и быстрому износу. Снижение выпуска не желательно, если требуется, уменьшение мощности может быть получено посредством клапана, установленного на выпускном патрубке.



Не ослабляйте соединения насоса, пока оно под давлением.

Не эксплуатируйте насос, если есть признаки утечки в системе.

Рабочие температуры должны соответствовать характеристикам строительных материалов насоса:

- 60 °C выполнение полипропилена (ПП)

- 80 °C выполнение PVDF



**НЕ ПОЗВОЛЯЙТЕ РАБОТАТЬ НА НАСОСЕ ВСУХОЮ** (внимание: дизайн насоса с магнитным приводом не позволяет сухого хода, потому что это может привести к безвозвратному повреждению внутренней части насоса).



Случайный сбой может генерировать разбрызгивания на значительные расстояния.

В случае вибрации или аномальных шумов немедленно остановите насос.



Не перекачивайте воспламеняющиеся жидкости.

Не прикасайтесь к работающему насосу.

Прежде чем дотронуться до двигателя или кронштейна, отключите электрический ток

### 3.2 Сухой ход



Заполняйте насос водой или перекачиваемой жидкостью до его включения. Это защитит подшипники и вал насоса от работы всухую. **НЕ ПОЗВОЛЯЙТЕ НАСОСУ РАБОТАТЬ ВСУХОЮ**, потому что это может привести к серьезным повреждениям внутренних частей насоса в связи с отсутствием необходимой смазки.

### 3.3 Температура

Повышение температуры перекачиваемой жидкости может привести к повреждению насоса и/или трубопровода/арматуры и может создать ситуацию с серьезной опасностью для людей, находящихся поблизости.

Избегайте резкой смены температуры и не превышайте температуру, указанную в вашем заказе. См. значение температур стройматериалов насосов в разделе 3.1

### 3.4 Перед началом работы

Убедитесь, что насос установлен в соответствии с инструкцией, прилагающейся в предыдущем разделе 2.



Если насосная станция новая, необходимо заполнить систему водой, чтобы проверить, нет ли никаких утечек. **КОГДА НАСОС УСТАНОВЛИВАЕТСЯ В ПЕРВЫЙ РАЗ, ОН ДОЛЖЕН БЫТЬ ЗАПРАВЛЕН, ЭТО ОЗНАЧАЕТ, ЧТО ОН ДОЛЖЕН БЫТЬ ЗАПОЛНЕН ЖИДКОСТЬЮ И ВСАСЫВАЮЩИЙ ТРУБОПРОВОД ДОЛЖЕН БЫТЬ ЗАПОЛНЕН ЖИДКОСТЬЮ ПЕРЕД ЗАПУСКОМ НАСОСА.**



**ВНИМАНИЕ:** некоторые жидкости вступают в реакцию с водой. **ПРОВЕРЬТЕ, ДЕЙСТВИТЕЛЬНО ЛИ ПЕРЕКАЧИВАЕМАЯ ЖИДКОСТЬ ВСТУПАЕТ В РЕАКЦИЮ С ВОДОЙ. В ТАКОМ СЛУЧАЕ СИСТЕМА ДОЛЖНА БЫТЬ ПОЛНОСТЬЮ ОПУСТОШЕННОЙ И ВЫСУШЕННОЙ.**

### 3.5 Начало работы

Запустите электродвигатель и постепенно открывайте напорный трубопровод, до тех пор, пока не достигнете необходимого потока.

Насос не может работать более двух-трех минут с закрытым выпускным клапаном. Более длительный период такой работы может привести к серьезным повреждениям насоса.

Если давление, показанное на манометре на выпускном трубопроводе не увеличивается, немедленно остановите насос и аккуратно отпустите давление.

Повторите операцию установки насоса, как указано в пункте 2.

Если во время процесса запуска происходят изменения мощности потока, плотности, температуры или вязкости жидкости, остановите насос и свяжитесь с отделом технического обслуживания ALPHADYNAMIC CO.

### 3.6 Optimum conditions for use

При постоянном использовании на максимальной мощности (максимальной емкости / напоре) может произойти ранний износ насоса. Как правило, мы рекомендуем использовать насос в половину его максимальной вместимости (см. пункт относительно технических данных).



Емкость и напор насоса относятся к перекачиванию воды при комнатной температуре. Если насос качает жидкость с высокой температурой или других вязкости и плотности, мощность должна быть пропорционально уменьшена. Насосы серии ADM работают хорошо с жидкостями, имеющими вязкость до 100 CPS<sup>3</sup> и удельный вес до 1.9<sup>3</sup>. **ОДНАКО, ВЯЗКОСТЬ И УДЕЛЬНЫЙ ВЕС ДОЛЖНЫ БЫТЬ ОГОВОРЕНЫ НА МОМЕНТ КОТИРОВКИ.** Электродвигатель выбирается в соответствии с оговоренной вязкостью и удельным весом. В случае более высоких показаний, мощность двигателя может быть недостаточной.

### 3.7 Прекращение работы

Обычно насос должен быть выключен только после закрытия выпускного клапана. Если всасывающий клапан закрыт раньше другого, может произойти кавитация насоса.

Если система всасывания заполнена водой, закройте клапан после остановки насоса.



В некоторых случаях насос может быть использован для опустошения резервуаров (баков), в таких случаях жидкость может перестать течь в насосе, в то время как он все еще работает. В этих ситуациях насос, работающий без жидкостей (это означает, что всухую) может быть опасно поврежден, если его не остановить немедленно. Для таких применений, рекомендуется использование автоматического оборудования или постоянное присутствие человека, который может отключить насос.

### 3.8 Период длительного бездействия



Если насос должен оставаться неактивными в течение длительного периода, перед остановкой, рекомендуется, дать потоку воды в системе литься в течение нескольких минут, чтобы избежать любого риска внутренних отложений осадков твердых частиц. Слейте жидкость из насоса. Случайное замерзание жидкости внутри насоса может привести к его повреждению. Всегда проверяйте, или перекачиваемая жидкость не вступает в реакцию с водой. В этом случае свяжитесь с ALPHADYNAMIC Co, чтобы найти альтернативное решение.

Если насос временно отключен от системы и хранятся на складе, необходимо следовать указаниям пункта 2.3 "Хранение".

### 3.9 Уровень шума



В некоторых случаях, например, когда насос работает с высоким давлением и малой мощностью, шуму усиливаются и могут беспокоить персонал, работающий в непосредственной близости. В этом случае можно предотвратить это с помощью:

- затычек для ушей;
- защитных омологированных шапок против шумов для персонала в непосредственной близости;
- звукоизоляционного навеса для насоса. В таких случаях убедитесь, что двигатель гарантировано вентилируется.

<sup>3</sup> Указанные значения имеют только ориентировочный характер и могут меняться в серии насосов модели ADM

## 4. ТЕХНИЧЕСКОЕ ОБСЛУЖИВАНИЕ

### 4.1 Общие положения



В течение гарантийного срока разборка насоса допускается только персоналом ALPHADYNAMIC Co или персоналом, уполномоченным ALPHADYNAMIC Co. Все операции, описанные в нижеследующих пунктах, должны быть выполнены исключительно квалифицированным персоналом и с соблюдением пошаговых инструкций и предупреждений, изложенных в этом руководстве.



Очистите внешнюю поверхность насосов, используя только антистатическое оборудование. Каждый раз, работая с аппаратом, сначала отключите электроснабжение.

Используйте исключительно грузовой лифт для транспортировки насосов с весом выше 16 кг. Во время движения машины или части машины избегайте столкновения или падения, которые могут привести к повреждению аппарата.



Перед разборкой частей насоса, убедитесь, что опасные внутренние жидкости были удалены/вымыты. **НАСОС ДОЛЖЕН БЫТЬ СЛИТ И ДЕЗАКТИВИРОВАН.**





Обратите внимание, что некоторые внутренние жидкости могут иметь опасные реакции при контакте с водой.

Во время операции разгрузки опасных жидкостей убедиться, что они не представляют опасность для людей или окружающей среды.

#### 4.2 Осмотр

В целом насосы с магнитным приводом не нуждаются в "рутинном" обслуживании и больше всего они не требуют частого демонтажа.

Однако целесообразны периодические осмотры с целью проверки состояния износа рабочего колеса, вала и подшипников, и общего состояния внутренних частей насоса.

Время между осмотрами сильно зависит от условий эксплуатации насоса: характеристики жидкости, температуры, используемых материалов и, очевидно, срока эксплуатации.

Если возникла проблема или насос нуждается в полном осмотре, см. раздел «Решения проблем» и «Разборка насоса».

#### 4.3 Процедура перед разборкой



##### **ВНИМАНИЕ:**

Если насос перекачивал горячие жидкости, убедитесь, что он был охлажден перед началом процедуры разборки. Вполне возможно, что насос перекачивал токсичные и/или опасные жидкости: поэтому необходимо носить защиту для кожи и глаз.



##### **ВНИМАНИЕ:**

Убедитесь в том, что насос был тщательно деактивирован и очищен. Вымойте и полностью нейтрализуйте опасные жидкости внутри насоса. Жидкость должна быть собрана и утилизирована в соответствии с существующими экологическими законами. После отсоединения выпускных и всасывающих патрубков закройте наконечники.



##### **ВНИМАНИЕ:**

Насосы ALPHADYNAMIC Co содержат чрезвычайно сильные магниты. Настоятельно рекомендуется использование неферромагнитных инструментов и рабочих поверхностей.

Обратите внимание на сильное магнитное притяжение при разборке / сборке блока магнита внешнего двигателя насоса.



Участок, на котором осуществляется обслуживание, должен быть чистым и без частиц железа, которые могут притягиваться магнитами.

#### 4.4 Разборка

**ПРИМЕЧАНИЕ:** фотографии, показывающие процесс разборки, относятся к конкретной модели насоса серии ADM и, следовательно, насос, поставленный Вам, может немного отличаться от того, что показано.

##### 4.4.1 Основные части

На рисунке ниже показана секция со всеми основными частями насоса серии ADM из термопластичного материала (в частности, мод. 15 и 31).

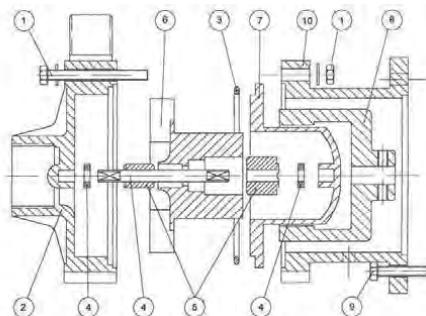


Рисунок N. 1 показывает главные части насоса серии ADM из термопластичного материала (за исключением двигателя)



Рисунок No. 1

#### 4.4.2 Отсоединение насоса от двигателя

1. Снимите винты крепления насоса и фланец двигателя (Фото № 2)
2. Отделите насос от двигателя (Фото № 3)
3. Если необходимо снять внешний магнит (Фото № 4) с вала двигателя, открутите установочный винт с помощью шестигранного ключа, а затем используйте съемник, чтобы избежать повреждений вала двигателя или внешнего магнита.



Фото 2



Фото 3



Фото 4

4. От кронштейна насоса разберите головку (Фото № 5 и 6) после снятия болтов.

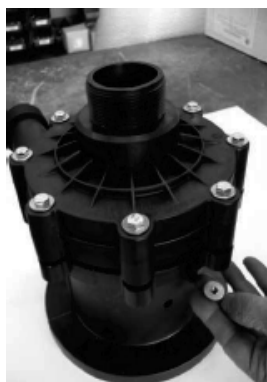


Фото 5



Фото 6



5. Удалите группу внутреннего ротора (внутренний магнит, рабочее колесо с передним подшипником Фото № 7) и проверьте износ вала и подшипников (Фото № 8). Обратите внимание, что вал и подшипники находятся в керамике и, таким образом, очень хрупкие. Затем снимите задний кожух и замените внешнее уплотнительное кольцо (Фото № 9)



Фото 7



Фото 8



Фото 9

Части, которые можно периодически заменять:

- уплотнительное кольцо (часть 3 в разделе чертежа)
- подшипники (часть 9 в разделе чертежа)
- втулка корпуса тяги (часть 4 в разделе чертежа)

#### 4.5 Сборка

Последовательность (в обратном направлении) процесса сборки такая же, что и разборки. Однако это необходимо учитывать следующие предупреждения:



#### **ВНИМАНИЕ:**

Почистите тщательно каждый компонент перед сборкой, убедитесь, что части не грязные, и не имеют металлических частиц, и т.д.



· всегда проверяйте правильное размещение подшипников, а затем используйте ручной пресс для их полного внедрения на место;



· убедитесь, что при закрытии насоса, уплотнительное кольцо находится точно на месте и не зажато;

· во время установки насоса на двигатель обратите внимание на магнитное притяжение, что может привести к травмам пальцев или рук;

· используйте динамометрический ключ для правильного выбора силы, чтобы затянуть болты в соответствии со схемой следующего раздела 4.7.



- после установки насоса на фланце электродвигателя, удалите временно защитный щит на вентиляторе в задней части двигателя и поверните его вручную, чтобы проверить свободное вращение блока. В случае чрезмерного трения или аномальных шумов, разберите группу (инструкции в разделе 4.4) и выясните причину проблемы. Никогда не используйте насос без прохождения этого теста. Снова установите защитный щит на вентиляторе перед запуском насоса. Не запускайте насос, если защитный экран вентилятора не установлен.

#### 4.6 Замена двигателя

Действуйте, как указано в предыдущем разделе 4.4.2. Убедитесь в том, что характеристики двигателя совпадают с двигателем, который заменен. Производитель нового двигателя может отличаться от производителя уже установленного двигателя.

#### 4.7 Момент затяжки

Рекомендуемый момент затяжки отображен в следующей таблице

ADM PP/PVDF	ADM 4		ADM 6		ADM 10		ADM 15		ADM 31		ADM 40 - 50	
	винт	Nm	винт	Nm	ВИНТ	Nm	винт	Nm	винт	Nm	винт	Nm
Двигатель/насос	M5	5/6	M6	8/10	M6	8/10	M8	15/20	M10	25/30	M10	25/30
Головка насоса/ кронштейн	M5	3/4	M5	3/4	M6	6/8	M6	6/8	M8	10/12	M8	10/12

## 5. РЕШЕНИЯ ПРОБЛЕМ

НЕПОЛАДКИ	ВОЗМОЖНАЯ ПРИЧИНА	ПОКАЗАНИЯ (ЧТО ДЕЛАТЬ)
Насос не запускается	α) Осмотрите электрологическую установку β) Проконсультируйтесь с инсталлятором	
Насос работает, но не перекачивает	α) Осмотрите резервуар с жидкостью β) Осмотрите фильтр γ) Проверьте клапаны δ) Проконсультируйтесь с инсталлятором	НЕМЕДЛЕННАЯ ОСТАНОВКА
У насоса низкая эффективность	α) Осмотрите фильтр β) Проверьте клапаны γ) Проверьте направление вращения δ) Проконсультируйтесь с инсталлятором	НЕМЕДЛЕННАЯ ОСТАНОВКА
Шум и вибрация	A) Осмотрите фильтр β) Проверьте клапаны γ) Проверьте, как насос сидит	НЕМЕДЛЕННАЯ ОСТАНОВКА
Перегрев	α) Осмотрите кондиционер β) Осмотрите фильтр γ) Проверьте всасывающие клапаны δ) Проверьте жидкость	НЕМЕДЛЕННАЯ ОСТАНОВКА
Падение термическое (перегрузка)	α) Сдерживайте выпускной клапан и проконсультируйтесь с инсталлятором	НЕМЕДЛЕННАЯ ОСТАНОВКА

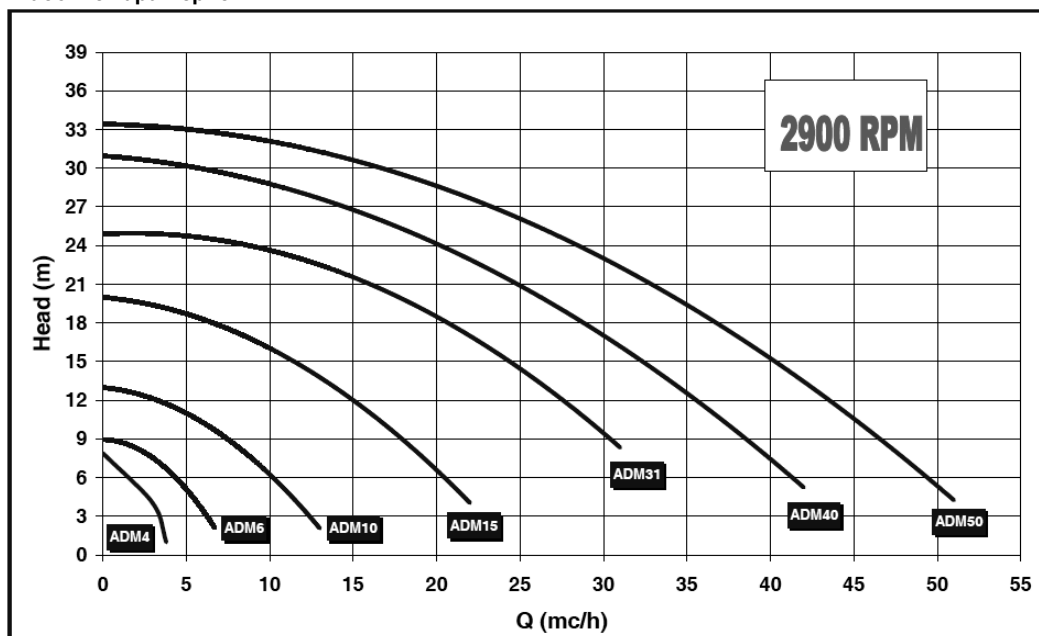
## 6. ЗАПАСНЫЕ ЧАСТИ

### 6.1 Как заказать запасные части

Полный набор запасных частей для этих видов насосов доступен. Пожалуйста, свяжитесь с ALPHADYNAMIC Co или с нашими дистрибьюторами. Чтобы получить запасные части, необходимо сообщить модель насоса, размер, материал, серийный номер, год постройки и число-код, относящееся к требуемой запасной части. Все справки записываются непосредственно на этикетке насоса и на чертежном участке насоса. Если у вас нет необходимых чертежей, пожалуйста, свяжитесь с ALPHADYNAMIC Co.

## 7. ИСХОДНЫЕ ДАННЫЕ

### 7.1 Рабочие характеристики



## 7.2 Технические данные и ограничения

Гидравлические характеристики действительны для однородных жидкостей с удельным весом 1, вязкостью 1 CPS и температурой 20 ° С. Если перекачиваемая жидкость имеет удельный вес более 1, потребляемая мощность, записанная на кривой производительности должна быть увеличена в соответствии с величиной удельного веса жидкости. Для жидкостей с удельным весом выше 2, пожалуйста, свяжитесь с отделом технического обслуживания ALPHADYNAMIC Co.

Гидравлические характеристики действительны для однородных жидкостей с вязкостью 1 CPS. Если перекачиваемая жидкость имеет вязкость, отличную от 1 SPC значения Q/H будут изменяться. Производительность насоса будет уменьшаться. Для жидкостей с вязкостью ниже, чем 0,5 CPS или более 150 CPS, пожалуйста, свяжитесь с технической службой ALPHADYNAMIC Co.

Величины требуемой NPSH (чистая мощность под всасывающим патрубком), записанные на кривых производительности, это низшие требуемые значения. Как правило, по соображениям безопасности, величина NPSH системы (доступной NPSH) должна быть, по крайней мере, на 0,5 м выше, чем величина необходимого NPSH (записанного на кривых производительности).

Величины производительности, записанные на кривых, относятся к опытным насосам на этапе прототипа. В насосах, запущенных в серийное производство, такие величины могут быть ниже. Как правило, эти величины должны быть рассмотрены следующим образом:

- насосы со сливом до 25мм: - 3 пункта (очка)
- насосы со сливом выше 25мм: - 2 пункта (очка)

Характеристики насосов серии ADM гарантированы производителем с допусками в соответствии с инструкциями UNI EN ISO 9906:2002. Что касается других спецификаций или правил, требующих более ограниченные допуски, на них должен быть сделан специальный запрос в момент котировки; в этом случае ALPHADYNAMIC Co выберет более подходящий насос и необходимые инструкции будут рассмотрены.

## 8. ГАРАНТИЯ И РЕМОНТ

### 8.1 ГАРАНТИЯ

Все продукты ALPHADYNAMIC Co обладают гарантией на период до двенадцати (12) месяцев, начиная с даты поставки товара.

Для того, чтобы гарантийное обслуживание было применимо, клиент должен сообщить о дефекте в письменной форме не позднее чем через 8 (восемь) дней с того момента, когда причинен ущерб, и должен вернуть часть (или части) ALPHADYNAMIC Co для ремонта или замены. Насосы не могут подвергаться ремонту или замене на месте. В случае необходимости гарантийного обслуживания, лучше отправить весь насос вместе с двигателем в ALPHADYNAMIC Co.

Расходы, связанные с доставкой и относительными рисками, а также возможные таможенные пошлины должны быть оплачены заказчиком. ALPHADYNAMIC Co не будет брать на себя затраты за сбор и отгрузку. Изготовитель не несет ответственности за ущерб, причиненный во время перевозки частей насоса или насоса, отправленного в ALPHADYNAMIC Co для осуществления ремонта по гарантии.

Гарантийная система предусматривает, что после тщательного осмотра на нашей фабрике, ALPHADYNAMIC волен выбирать, отремонтировать или заменить часть (или части) насоса, который оказался дефективным в материалах или в изготовлении, или в том и другом. Мы не возмещаем затраты не даем кредит за дефектные материалы или за прямые или косвенные убытки, вызванные нашими насосами. В любом случае, любая компенсация не может превышать стоимость насоса или поставляемого материала.

Если перекачиваемая жидкость и необходимые мощности не были оговорены с ALPHADYNAMIC перед поступлением заказа и не были подтверждены в котировке в порядке подтверждения, клиент берет на себя всю ответственность за использование продукта, особенно если продукт не использовался надлежащим образом, то в таком случае ни гарантия, ни подчинение Директиве по Оборудованию 2006/42/CE, ни соответствующая Декларация CE больше не являются действительными. В этом случае клиент является единственным ответственным за внедрение насоса на рынке, для декларирования соответствия Директивы по Оборудованию и знаком CE. В любом случае пользователь считается единственным, кто лучше знает химическую совместимость и реакции между перекачиваемой жидкостью и материалами изготовления насоса, и, следовательно, информация, предоставленная ALPHADYNAMIC в этом отношении, носит сугубо ориентировочный характер.

Если возвращенная деталь больше не покрывается гарантией, или если после исследования ALPHADYNAMIC обнаруживает, что деталь не содержит дефектов, инспекционные сборы взимаются с заказчика и отремонтированная или замененная деталь будет возвращена клиенту за его счет.

Насосы, которые были отремонтированы или заменены по гарантии, будут поставляться на тех же условиях поставки, как и заказ, и гарантия не будет продлена. Гарантия не распространяется на детали, подверженные естественному износу из-за времени, например, механические уплотнения, подшипники, втулки и уплотнения.

Клиент несет полную ответственность за хорошую эксплуатацию насосов и за их тщательный уход. Поэтому никакие претензии не будут приниматься при неправильном обращении с товаром (не хранении в специальном закрытом сухом месте, что необходимо из-за хрупкости материалов), загрязнении, халатном обращении, неправильной установке, неправильной регулировке, неправильном применении. В частности, ALPHADYNAMIC Co не несет никакой ответственности за износ в результате коррозии.

Плановое техническое обслуживание и ремонт, выполненные за пределами уполномоченной сети ALPHADYNAMIC Co, приведет к аннулированию гарантии и Декларации соответствия CE. Гарантия не распространяется на повреждения, из-за чрезвычайных или природных явлений, таких как молния, обледенение, пожар и др.

Все гарантийные обязательства считаются полностью выполненными после ремонта или замены дефектных деталей.

Гарантийное обслуживание будет приостановлено в случае неисполненного или просроченного платежа, и потерянный в таком случае период не может быть восстановлен.

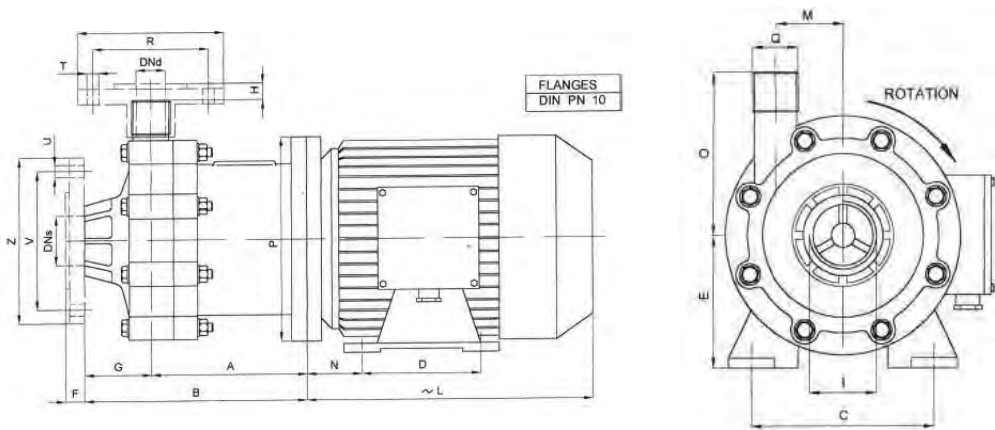
Эта гарантия является неотъемлемой частью предложения и подтверждения заказа. В случае судебного разбирательства суд, который обладает юрисдикцией, находится в Афинах (Греция), а также закон, который будет применяться, является Греческий Закон.

### 8.2 Возвращение деталей и ремонт

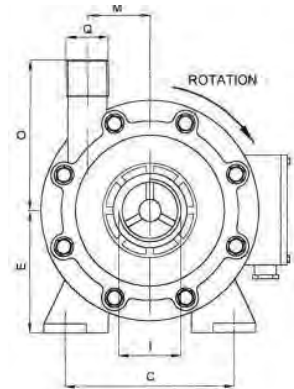
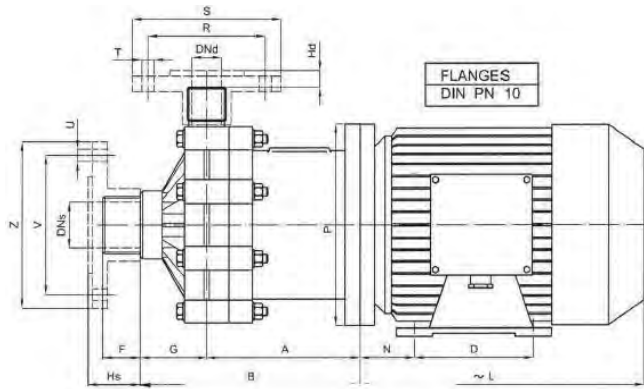
Все наши дистрибьюторы предлагают полный спектр услуг по ремонту. Обратитесь к своему местному дистрибьютору или напрямую в ALPHADYNAMIC Co.

Перед отправкой насоса обратно в наш отдел ремонтных услуг или в ALPHADYNAMIC Co, насосы должны быть подвергнуты дезактивации и очистке от использованных опасных жидкостей. Перед отправкой насоса, клиент должен заполнить Декларацию Дезактивации и отправить ее по электронной почте или по факсу в соответствии с факсимильным документом в следующем разделе 8.3.

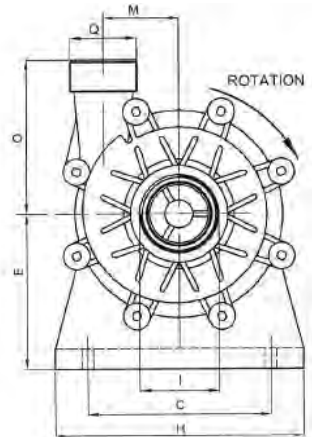
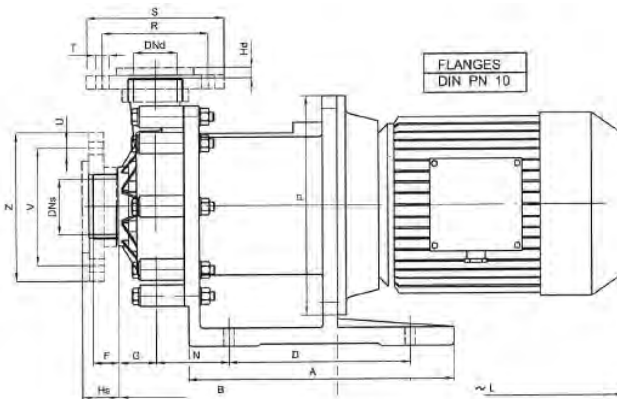
### 9. Габаритные чертежи



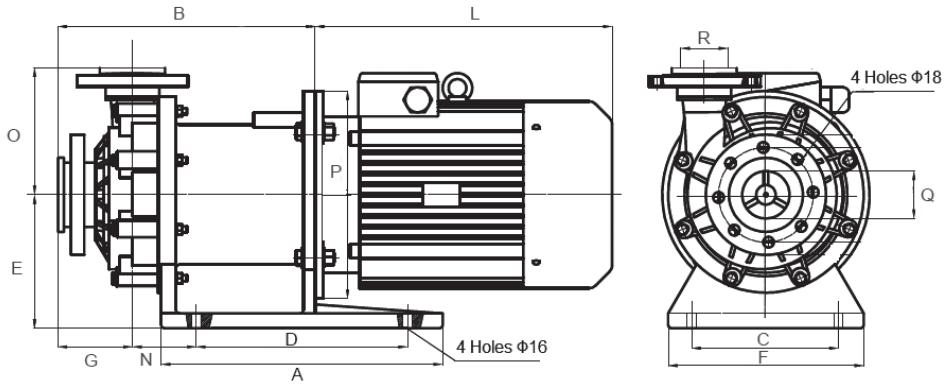
Pump type	KW	Dimensions –mm–														
		A	B	C	D	E	F	G	H	I	L	M	N	O	P	Q
ADM 4	0,12	76	115	90	71	56	-	39	-	1" FPT	176	36	34	80	120	½" FPT
ADM 6	0,25	84	143	100	80	63	18	59	10	1" FPT	191	45	40	98	140	¾" FPT
ADM10	0,55	110	180	112	90	71	20	70	9	1 ½" FPT	215	45	45	100	160	1" FPT



Pump Type	KW	Dimensions –mm–															
		A	B	C	D	E	F	G	H s	H d	I	L	M	N	O	P	Q
ADM 15	1.5	160	240	140	100	56	28	52	42	13	2" MALE	256	66	56	135	200	1 1/2" MALE
ADM 31	2.2	184	245	140	100	63	30	61	44	13	2 1/2" MALE	256	66	56	140	200	2" MALE
ADM 40	3	228	280	160	140	71	40	52	50	10	3" MALE	315	82	63	180	250	2 1/2" MALE
ADM 40	4	228	280	190	140	112	40	52	50	10	3" MALE	325	82	70	180	250	2 1/2" MALE

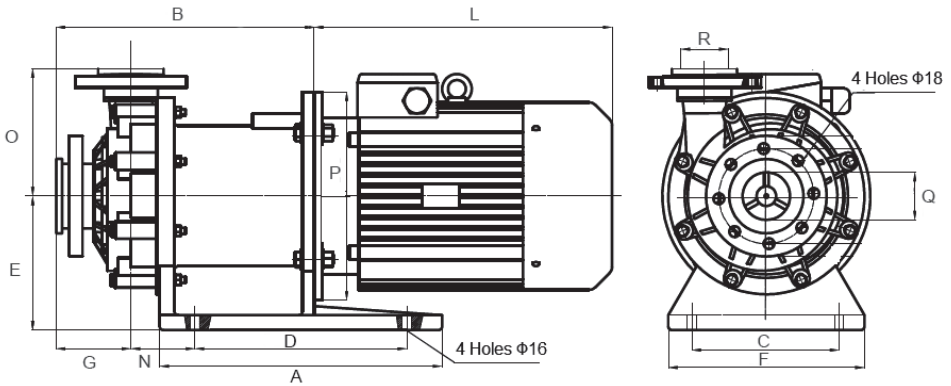


Pump Type	KW	Dimensions –mm–															
		A	B	C	D	E	F	G	H s	H d	I	L	M	N	O	P	Q
ADM 50	5.5	365	300	216	250	192	40	52	50	10	3" MALE	360	82	98	180	300	2 1/2" MALE
ADM 50	7.5	365	300	216	250	192	40	52	50	10	3" MALE	400	82	98	180	300	2 1/2" MALE



Dimensions –mm–

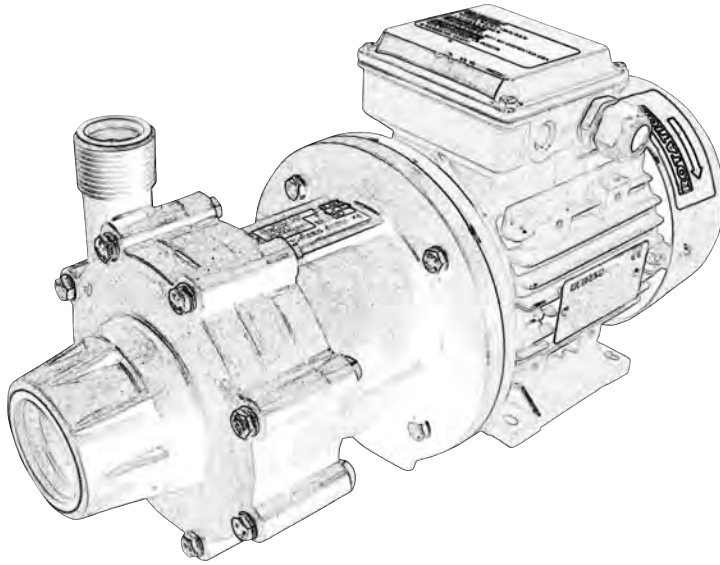
Pump Type	B35	Kw	Rpm	A	B	C	D	E	F	G	L	N	O	P	Q	R
ADM 80.1	160	11	2800	475	433	250	360	225	330	126	510	104	215	350	DN 80	DN 65
ADM 80.2	160	15	2800	475	433	250	360	225	330	126	510	104	215	350	DN 80	DN 65



Dimensions –mm–

Pump Type	B35	Kw	Rpm	A	B	C	D	E	F	G	L	N	O	P	Q	R
ADM 100.1	160	15	2800	475	435	250	360	225	330	124	510	104	217	350	DN 100	DN 80
ADM 100.2	160	18.5	2800	475	433	250	360	225	330	124	554	104	217	350	DN 100	DN 80
ADM 100.3	180	22	2800	475	433	250	360	225	330	124	595	104	217	350	DN 100	DN 80





# ADM

Magnetic Drive Pumps  
Насосы с магнитной муфтой

<https://prom-nasos.pro>  
<https://bts.net.ua>  
<https://prom-nasos.com.ua>  
+38 095 656-37-57  
+38 067 360-71-01  
+38 063 362-12-31  
[info@prom-nasos.pro](mailto:info@prom-nasos.pro)