

<https://prom-nasos.pro>

<https://bts.net.ua>

<https://prom-nasos.com.ua>

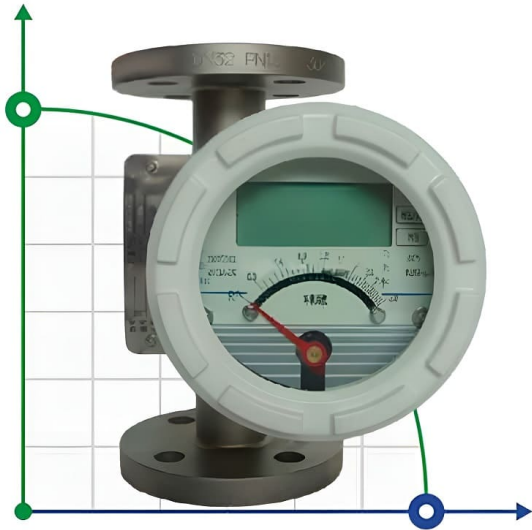
+38 095 656-37-57,

+38 067 360-71-01,

+38 063 362-12-31,

info@prom-nasos.pro

LCD Display High Accuracy Variable Area Rotameter



LCD Display High Accuracy Variable Area Rotameter

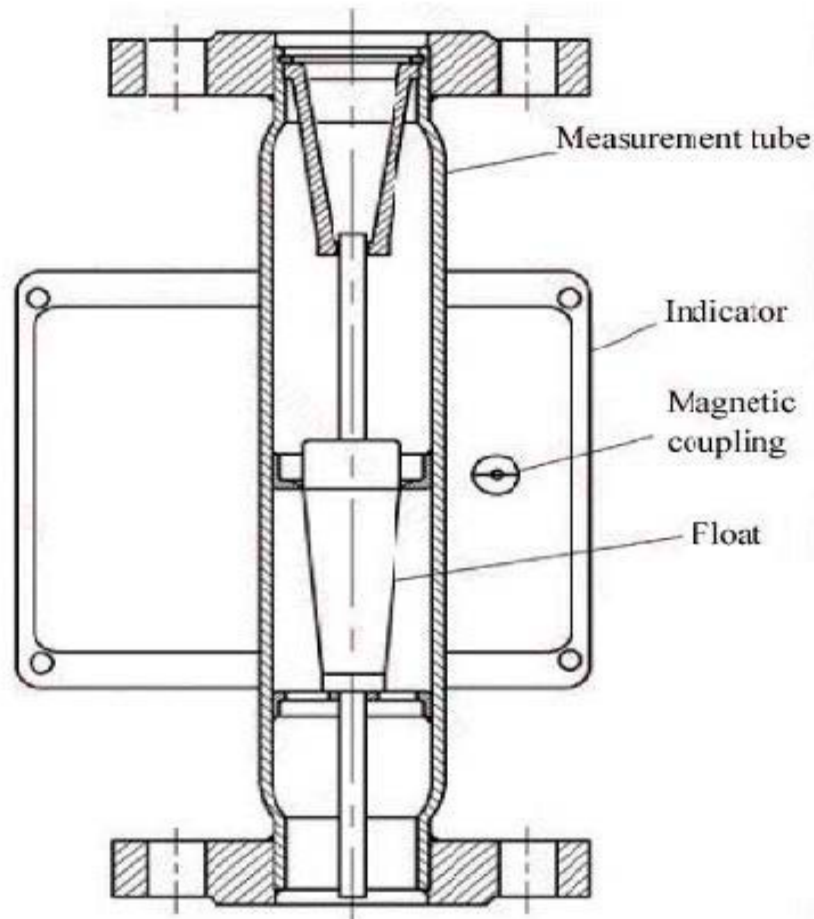
Application :

Series LZ variable-area flow-meter by float position and according to fluid dynamics and magnetic coupling system. Adopts rugged, all-metal construction and HART communication and especially for indicating the instantaneous flow value of liquids, gases and vapor.



Series LZ variable-area flow-meter by float position and according to fluid dynamics and magnetic coupling system. Adopts rugged, all-metal construction and HART communication and especially for indicating the instantaneous flow value of liquids, gases and vapor.

So many wetted materials and the liquid is most select. The intrinsically flow-meter can be used in hazardous areas and install types are operating on the difference required. Others consumers through the LZ01 card what accordance with HART communication built into indicator can make the configuration, adjustment and monitor of progresses flow value by the PC phone or HART handle deal. Different installs type flow-meter have the local display indication, output, limit switch and accumulating function. The best accuracy and reliable suitable for difficult application and environment conditions like the petroleum, chemical, industry, fertilizer and so on.



The series LZ flow-meter consisted essentially of metering tube and indicator. Tapered tube and vertical float or orifice place built into measuring tube .The float will be state a position when liquid take from the tube and float stand the force of running. And then the annular-area by float and tapered tube or orifice id flow-value required. This is a dynamic balance which a stated flow –value will be match a stated annular-area that is a only position of float. The flow-value display by the magnetic where install in float and indicator built into magnetic coupling. Also can display the flow-rate through flow-meter card what accordance with HART communication built into indicator of the Output、 alarm control and accumulate function.

Measurement range	Water (20): 16~150,000 l/h; Air(0.1013MPa,20): 0.5~4,000 m ³ /h
Accuracy	Standard: ±1.5% FS; Special: ±1.0% FS
Range rate	10:01
Nominal pressure	Standard: DN15~DN50 PN4.0MPa ; DN80~DN150 PN 1.6MPa Special: DN15~DN50 PN25MPa ; DN80~DN150 PN 16MPa
Medium temperature	Standard: -80 ~+300 PTFE Material: -25 ~+80
Viscosity	DN15: <30mPa·s; DN25: <180mPa·s; DN50~DN80: <220mPa·s DN100~DN150: <300mPa·s
Ambient temperature	Local display: -40 +120 ; Remote transmit and accumulate: -40 +80
Connect Flange	Standard: DIN2501: DN15~DN50/PN4.0MPa RF; DN80~DN150/PN1.6MPa RF ANSI B16.5: 1/2"~6"150 lbs or 300 lbs/RF Special: as consumer, like HG、HGJ、GB、JB、SH standard
Hearting jacket	Pressure class: PN 1.6MPa Connection flange: DN15/ PN 4.0
Power supply	24VDC or 3.6 supper lithium battery
Explosive-proof	Ex i a II CT6 or d II CT6
Output	4~20mA DC, with HART digital communication
Electrical connection	M20×1.5 or 1/2"NPT
Heights size	250mm (Vertical connection)
Pressure loss	2.0~25kPa (as flow table)
Protection class	IP65/IP67

Model Selection:

Description		Specifications	
LZ		U-ideal Series of metal tube float flow-meter	
Structure of transmitter	50	Vertical connection , flow from bottom to top	
	51	Flow form bottom to side	
	52	Flow from side to side	
	53R	Horizontal connection , Flow from right to left	
	53L	Horizontal connection, flow from left to right	
	54	Vertical connection , flow from top to bottom	
Wetted material	R0	Stainless steel 0Cr18Ni12Mo2Ti	
	R1	Stainless steel 1Cr18Ni9Ti	
	R4	Stainless steel 304	
	R4L	Stainless steel 304L	
	R6	Stainless steel 316	
	R6L	Stainless steel 316L	
	RP	Stainless steel lining PTFE	
	Hc	Hastelloy C276	
	Ti	Titanium	
Indicator	M1	Square shell ,glass view, local indication, intrinsic safety, limit switch optional	
	M2	Circle shell , local indication, intrinsic safety or explosion-proof ,limit switch is optional	
Display and Output	Js	LCD Display and Pointer,3.6V lithium battery power-supply. None Output	
	Es	24VDC power supply, Output 4-20mA, two-wire; HART protocol	
	D	Only pointer	
Anti-Explosion Type	Ex	Intrinsic safety	
	Ed	Explosion-proof	
Alarm Output	K1	One point high limit switch	
	K2	One point low limit switch	
	K12	Two point high-low limit switch	
Assistance structure	T	Heating or cooling jacket	
	Z	Damp system	
	G	High-temperature indicator	
Fluid type	Air	Gas	
		Liquid(omit)	