

**KINGDA**

# TYPE KSF

**BTS**  
ENGINEERING

<https://prom-nasos.pro>

<https://bts.net.ua>

<https://prom-nasos.com.ua>

+38 095 656-37-57,

+38 067 360-71-01,

+38 063 362-12-31,

[info@prom-nasos.pro](mailto:info@prom-nasos.pro)

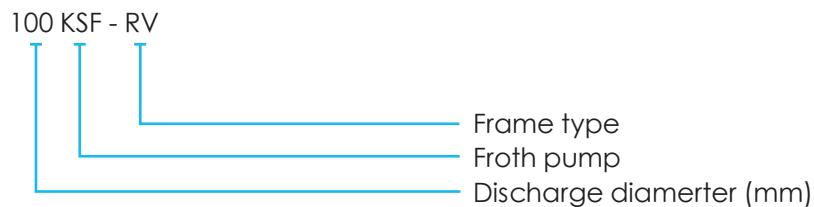
## GENERAL DESCRIPTION

KSF Series of Froth Pumps is efficiency pump product which is designed and manufactured by Shijiazhuang Kingda Pump Industry Group Co.,Ltd. These froth pumps are suitable for handling solids-liquid mixture, special for delivering frothy pulp generated in flotation machines in metalliferous and coal flotation circuits.

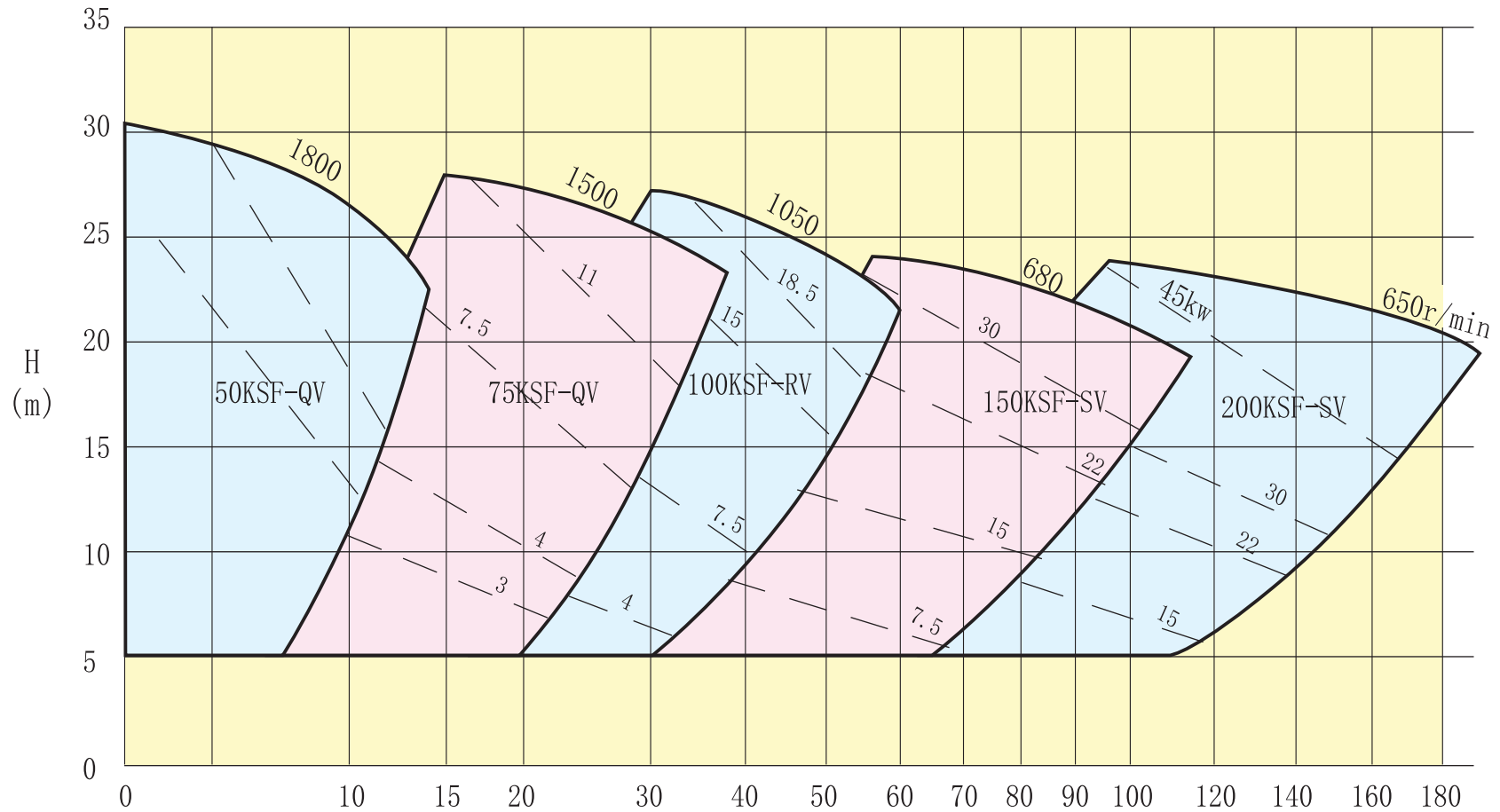
The basic principle of the pump operation is to delete or partially delete the froth before the slurry enters the pumping. Its handling capacity is much higher than that of other types of slurry pump without shaft seal and sealing water. It is a perfect pump for handling frothy pulp.

The construction of pump head is double casings. All wet-parts can be supplied in Ni-hard, high chrome alloy iron and pressure-moulded natural or synthetic rubber. The driver end can be exchanged with KSS pumps. The hopper-tank is fabricated with steel plate. Its inner wall of the tank can be covered with liner according to different medium pumped. The discharge branch can be positioned at intervals of 45 degrees by request and oriented to any eight positions to suit installations and applications. The advantage of the pump are of excellent performance. easy assembly & disassembly, high reliability etc.

## Type Notation



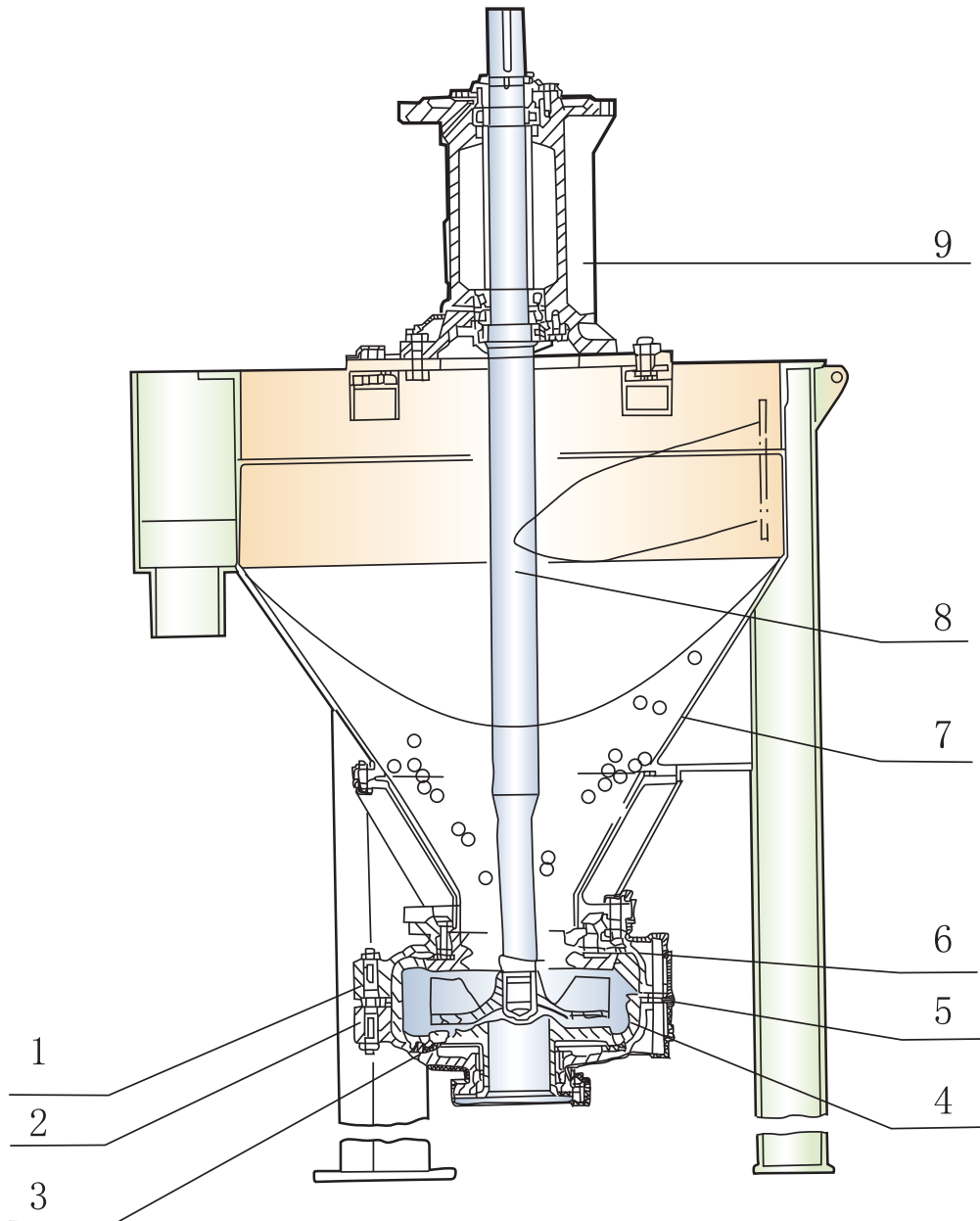
# FROTH PUMPS SELECTION CHART



Note: Approximate performance for clear water is used for primary selection only

# KSF

## CONSTRUCTION DRAWING FOR TYPE KSF OF FROTH PUMP

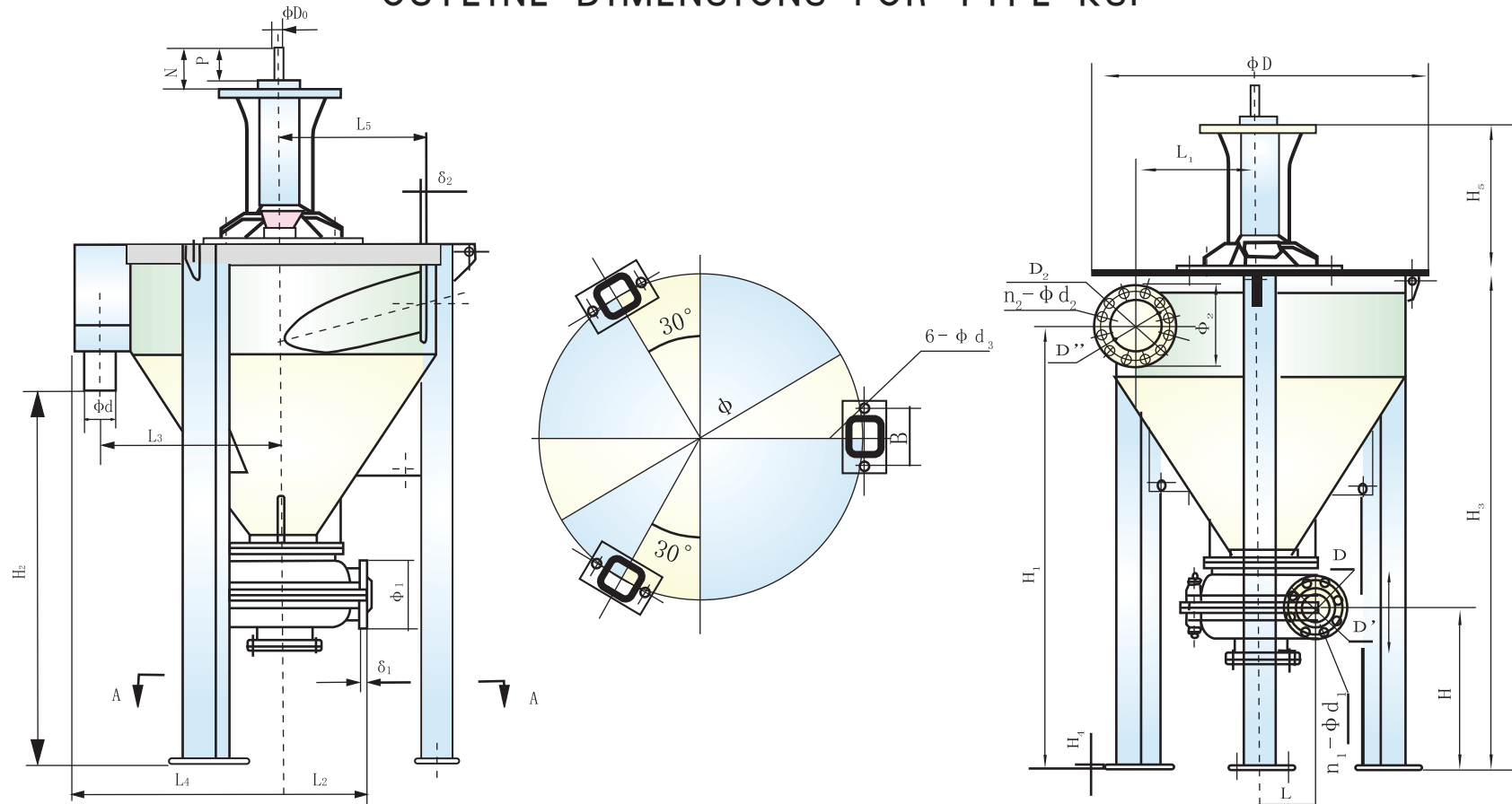


- 1 - frame plate
- 2 - cover plate
- 3 - cover plate liner insert
- 4 - volute liner
- 5 - impeller

- 6 - frame plate liner insert
- 7 - tank
- 8 - shaft
- 9 - bearing housing

# K S F

## OUTLINE DIMENSIONS FOR TYPE KSF



Pump Size	Dimension																			Discharge flange						Intake flange						
	H	H <sub>1</sub>	H <sub>2</sub>	H <sub>3</sub>	H <sub>4</sub>	H <sub>5</sub>	L	L <sub>1</sub>	L <sub>2</sub>	L <sub>3</sub>	L <sub>4</sub>	L <sub>5</sub>	$\phi$	H	$\phi D$	N	P	$\phi d$	$\phi d_3$	$\phi d_0$	D <sub>1</sub>	D'	D''	n <sub>1</sub>	$\phi d_1$	$\delta_1$	D <sub>2</sub>	D''	$\phi_2$	n <sub>2</sub>	$\phi d_2$	$\delta_2$
50KSF-QV	382	1140	850	1300	12	474	138	360	210	480	565	380	800	140	938	174	110	100	19	40	51	146	184	4	19	25	102	178	216	4	19	12
75KSF-QV	467	1250	950	1400	12	474	149	354	262	510	625	445	840	140	938	174	110	168	18	40	76	191	229	4	22	27	152	235	279	8	18	16
100KSF-RV	506	1720	1310	1910	16	637	229	537	338	740	860	600	1230	230	1444	238	170	150	19	65	102	235	279	8	32	32	203	292	337	19	12	
150KSF-RV	791	2430	1950	2770	20	875	318	696	460	1020	1180	800	1700	300	1970	300	210	219	22	80	152	324	365	8	21	38	305	406	457	12	22	20
200KSF-SV							381		470												203	375	432		29	44						